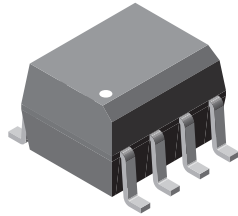
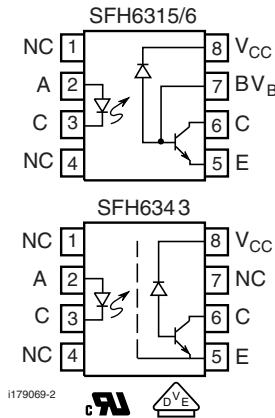




High Speed Optocoupler, 1 MBd, Transistor Output



i179074



FEATURES

- Surface mountable
- Industry standard SOIC-8 footprint
- Compatible with infrared vapor phase reflow and wave soldering processes
- Isolation test voltage, 4000 V_{RMS}
- Very high common mode transient immunity: 15000 V/μs at V_{CM} = 1500 V guaranteed (SFH6343)
- High speed: 1 MBd
- TTL compatible
- Guaranteed AC and DC performance temperature: 0 °C to 70 °C
- Open collector output
- Pin compatible with agilent (HP) optocouplers
 - SFH6315T - HCPL0500
 - SFH6316T - HCPL0501
 - SFH6343T - HCPL0453
- Material categorization: For definitions of compliance please see www.vishay.com/doc?99912



RoHS COMPLIANT

DESCRIPTION

The SFH6315, SFH6316, SFH6343, high speed optocouplers, each consists of a GaAlAs infrared emitting diode, optically coupled with an integrated photo detector and a high speed transistor. The photo detector is junction isolated from the transistor to reduce miller capacitance effects. The open collector output function allows circuit designers to adjust the load conditions when interfacing with different logic systems such as TTL, CMOS, etc.

Because the SFH6343 has a faraday shield on the detector chip, it can also reject and minimize high input to output common mode transient voltages. There is no base connection, further reducing the potential electrical noise entering the package.

The SFH6315, SFH6316, SFH6343 are packaged in industry standard SOIC-8 packages and are suitable for surface mounting.

APPLICATIONS

- Line receivers
- Logic ground isolation
- Analog signal ground isolation
- Replace pulse transformers

AGENCY APPROVALS

- UL1577, file no. E52744 system code Y
- cUL - file no. E52744, equivalent to CSA bulletin 5A
- DIN EN 60747-5-5 (VDE 0884-5) available with option 1

ORDERING INFORMATION			
S	F	H	6 3 # # T
PART NUMBER			
AGENCY CERTIFIED/PACKAGE	CTR (%)		
UL, cUL	≥ 5	≥ 15	NO BASE CONNECTION
SOIC-8	SFH6315T ⁽¹⁾	SFH6316T ⁽¹⁾	SFH6343T ⁽¹⁾

Note

⁽¹⁾ Also available in tubes; do not add T to end



ABSOLUTE MAXIMUM RATINGS ($T_{amb} = 25\text{ }^{\circ}\text{C}$, unless otherwise specified)				
PARAMETER	TEST CONDITION	SYMBOL	VALUE	UNIT
INPUT				
Reverse voltage		V_R	3	V
DC forward current		I_F	25	mA
Surge forward current	$t_p \leq 1\text{ }\mu\text{s}$, 300 pulses/s	I_{FSM}	1	A
Power dissipation	$T_{amb} \leq 70\text{ }^{\circ}\text{C}$	P_{diss}	45	mW
OUTPUT				
Supply voltage		V_S	-0.5 to 30	V
Output voltage		V_O	-0.5 to 25	V
Output current		I_O	8	mA
Power dissipation	$T_{amb} \leq 70\text{ }^{\circ}\text{C}$	P_{diss}	100	mW
COUPLER				
Isolation test voltage between emitter and detector		V_{ISO}	4000	V_{RMS}
Pollution degree (DIN VDE 0110)			2	
Comparative tracking index	DIN IEC 112/VDE 0303 part 1	CTI	175	
Storage temperature range		T_{stg}	-55 to +150	$^{\circ}\text{C}$
Ambient temperature range		T_{amb}	-55 to +100	$^{\circ}\text{C}$
Junction temperature		T_J	100	$^{\circ}\text{C}$
Soldering temperature ⁽¹⁾	max. 10 s, dip soldering distance to seating plane $\geq 1.5\text{ mm}$		260	$^{\circ}\text{C}$

Notes

- Stresses in excess of the absolute maximum ratings can cause permanent damage to the device. Functional operation of the device is not implied at these or any other conditions in excess of those given in the operational sections of this document. Exposure to absolute maximum ratings for extended periods of the time can adversely affect reliability.

⁽¹⁾ Refer to reflow profile for soldering conditions for surface mounted devices.

ELECTRICAL CHARACTERISTICS ($T_{amb} = 25\text{ }^{\circ}\text{C}$, unless otherwise specified)							
PARAMETER	TEST CONDITION	PART	SYMBOL	MIN.	TYP.	MAX.	UNIT
INPUT							
Forward voltage	$I_F = 16\text{ mA}$, $25\text{ }^{\circ}\text{C}$		V_F		1.6	1.8	V
			V_F		1.6	1.9	V
Reverse current	$V_R = 3\text{ V}$		I_R		0.5	10	μA
Capacitance	$f = 1\text{ MHz}$, $V_F = 0\text{ V}$		C_{IN}		75		pF
Temperature coefficient of forward voltage	$I_F = 16\text{ mA}$		$\Delta V_F / \Delta T_{amb}$		-1.7		mW/ $^{\circ}\text{C}$
OUTPUT							
Logic low supply current	$I_F = 16\text{ mA}$, $V_O = \text{open}$, $V_{CC} = 15\text{ V}$		I_{CCL}		200		μA
Logic high supply current	$I_F = 0\text{ mA}$, $V_O = \text{open}$, $V_{CC} = 15\text{ V}$; $25\text{ }^{\circ}\text{C}$		I_{CCH}		0.001	1	μA
			I_{CCH}		0.001	2	μA
Logic low output voltage	$I_F = 16\text{ mA}$, $V_{CC} = 4.5\text{ V}$, $I_O = 1.1\text{ mA}$, $25\text{ }^{\circ}\text{C}$	SFH6315	V_{OL}		0.15	0.4	V
	$I_F = 16\text{ mA}$, $V_{CC} = 4.5\text{ V}$, $I_O = 0.8\text{ mA}$	SFH6315	V_{OL}		0.15	0.5	V
	$I_F = 16\text{ mA}$, $V_{CC} = 4.5\text{ V}$, $I_O = 3\text{ mA}$, $25\text{ }^{\circ}\text{C}$	SFH6316	V_{OL}		0.15	0.4	V
	$I_F = 16\text{ mA}$, $V_{CC} = 4.5\text{ V}$, $I_O = 2.4\text{ mA}$	SFH6343	V_{OL}		0.15	0.5	V
	$I_F = 16\text{ mA}$, $V_{CC} = 4.5\text{ V}$, $I_O = 2.4\text{ mA}$	SFH6316	V_{OL}		0.15	0.5	V
	$I_F = 16\text{ mA}$, $V_{CC} = 4.5\text{ V}$, $I_O = 2.4\text{ mA}$	SFH6343	V_{OL}		0.15	0.5	V
Logic high output current	$I_F = 0\text{ mA}$, $V_O = V_{CC} = 5.5\text{ V}$, $25\text{ }^{\circ}\text{C}$		I_{OH}		0.003	0.5	μA
	$I_F = 0\text{ mA}$, $V_O = V_{CC} = 15\text{ V}$, $25\text{ }^{\circ}\text{C}$		I_{OH}		0.01	1	μA
	$I_F = 0\text{ mA}$, $V_O = V_{CC} = 15\text{ V}$		I_{OH}			50	μA
COUPLER							
Capacitance (input to output) ⁽¹⁾	$f = 1\text{ MHz}$		C_{IO}		0.4		pF

Notes

- Minimum and maximum values are testing requirements. Typical values are characteristics of the device and are the result of engineering evaluation. Typical values are for information only and are not part of the testing requirements.

⁽¹⁾ A 0.1 μF bypass capacitor connected between pins 5 and 8 is recommended.

CURRENT TRANSFER RATIO							
PARAMETER	TEST CONDITION	PART	SYMBOL	MIN.	TYP.	MAX.	UNIT
Current transfer ratio	$V_O = 0.4 \text{ V}$, $I_F = 16 \text{ mA}$, $V_{CC} = 4.5 \text{ V}$, $25 \text{ }^\circ\text{C}$	SFH6315	CTR	7	16	50	%
	$V_O = 0.5 \text{ V}$, $I_F = 16 \text{ mA}$, $V_{CC} = 4.5 \text{ V}$	SFH6315	CTR	5	17		%
	$V_O = 0.4 \text{ V}$, $I_F = 16 \text{ mA}$, $V_{CC} = 4.5 \text{ V}$, $25 \text{ }^\circ\text{C}$	SFH6316	CTR	19	35	50	%
	$V_O = 0.4 \text{ V}$, $I_F = 16 \text{ mA}$, $V_{CC} = 4.5 \text{ V}$, $25 \text{ }^\circ\text{C}$	SFH6343	CTR	19	35	50	%
	$V_O = 0.5 \text{ V}$, $I_F = 16 \text{ mA}$, $V_{CC} = 4.5 \text{ V}$	SFH6343	CTR	15	36		%
	$V_O = 0.5 \text{ V}$, $I_F = 16 \text{ mA}$, $V_{CC} = 4.5 \text{ V}$	SFH6316	CTR	15	36		%

Note

- Current transfer ratio in percent equals the ratio of output collector current (I_O) to the forward LED input current (I_F) times 100. A $0.1 \mu\text{F}$ bypass capacitor connected between pins 5 and 8 is recommended.

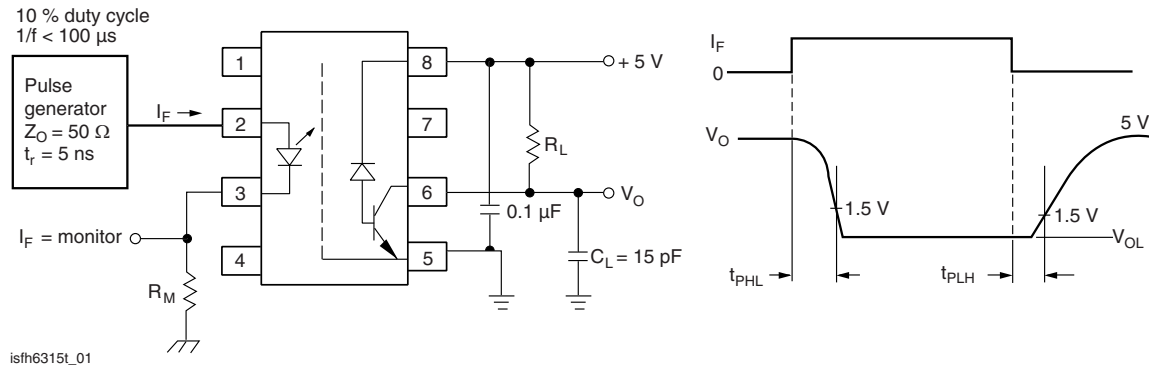


Fig. 1 - Test Circuit for Switching Times

SWITCHING CHARACTERISTICS							
PARAMETER	TEST CONDITION	PART	SYMBOL	MIN.	TYP.	MAX.	UNIT
Propagation delay time to logic low at output (see fig. 1)	$R_L = 4.1 \text{ K}\Omega$	SFH6315	$t_{PHL}^{(1)}$		0.5	1.5	μs
		SFH6315	t_{PHL}		0.5	2	μs
	$R_L = 1.9 \text{ K}\Omega$	SFH6316	t_{PHL}		0.25	0.8	μs
		SFH6343	t_{PHL}		0.25	1	μs
Propagation delay time to logic high at output (see fig. 1)	$R_L = 4.1 \text{ K}\Omega$	SFH6315	$t_{PLH}^{(1)}$		0.5	1.5	μs
		SFH6315	t_{PLH}		0.5	2	μs
	$R_L = 1.9 \text{ K}\Omega$	SFH6316	t_{PLH}		0.5	0.8	μs
		SFH6343	t_{PLH}		0.5	1	μs

Notes

- Over recommended temperature ($T_{amb} = 0 \text{ }^\circ\text{C}$ to $70 \text{ }^\circ\text{C}$), $V_{CC} = 5 \text{ V}$, $I_F = 16 \text{ mA}$ unless otherwise specified. The 1.9 kW load represents 1 TTL unit load of 1.6 mA and the 5.6 kW pull-up resistor. The 4.1 kW load represents 1 LSTTL unit load of 0.36 mA and the 6.1 kW pull-up resistor.
- ⁽¹⁾ $T_{amb} = 25 \text{ }^\circ\text{C}$, unless otherwise specified.

COMMON MODE TRANSIENT IMMUNITY							
PARAMETER	TEST CONDITION	PART	SYMBOL	MIN.	TYP.	MAX.	UNIT
Common mode transient immunity at logic high level output (see fig. 2)	$R_L = 4.1\text{ k}\Omega$, $I_F = 0\text{ mA}$, $V_{CM} = 10\text{ V}_{P-P}$	SFH6315	$ CM_H $		1		kV/ μ s
	$R_L = 1.9\text{ k}\Omega$, $I_F = 0\text{ mA}$, $V_{CM} = 1500\text{ V}_{P-P}$	SFH6316	$ CM_H $		1		kV/ μ s
		SFH6343	$ CM_H $	15	30		kV/ μ s
Common mode transient immunity at logic low level output (see fig. 2)	$R_L = 4.1\text{ k}\Omega$, $I_F = 16\text{ mA}$, $V_{CM} = 10\text{ V}_{P-P}$	SFH6315	$ CM_L $		1		kV/ μ s
	$R_L = 1.9\text{ k}\Omega$, $I_F = 16\text{ mA}$, $V_{CM} = 10\text{ V}_{P-P}$	SFH6316	$ CM_L $		1		kV/ μ s
		SFH6343	$ CM_L $	15	30		kV/ μ s

Note

- Common mode transient immunity in a logic high level is the maximum tolerable (positive) dV_{CM}/dt on the leading edge of the common mode pulse (V_{CM}) to assure that the output will remain in a logic high state (i.e., $V_O > 2\text{ V}$). Common mode transient immunity in a logic low level is the maximum tolerable (negative) dV_{CM}/dt on the trailing edge of the common mode pulse signal (V_{CM}) to assure that the output will remain in logic low state, i.e., $V_O > 0.8\text{ V}$.
The 1.9 k Ω load represents 1 TTL unit load of 1.6 mA and the 5.6 k Ω pull-up resistor.
The 4.1 k Ω load represents 1 LSTTL unit load of 0.36 mA and the 6.1 k Ω pull-up resistor.

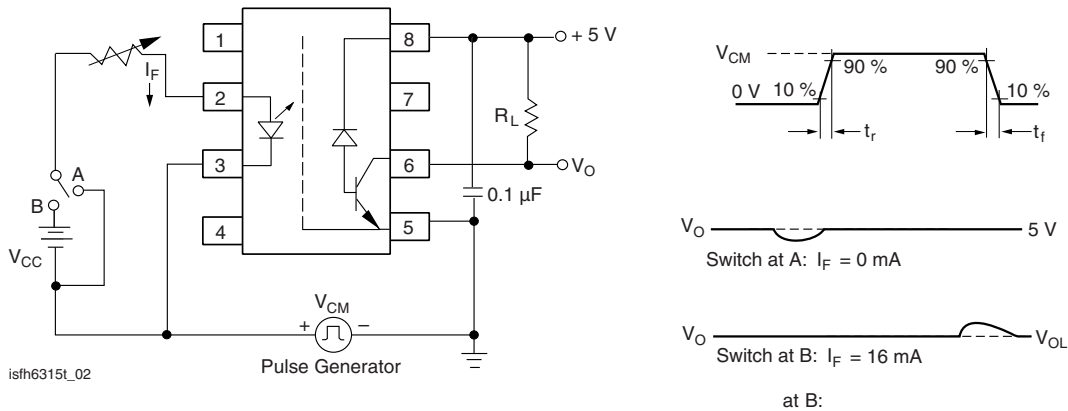


Fig. 2 - Test Circuit for Transient Immunity and Typical Waveforms

SAFETY AND INSULATION RATINGS							
PARAMETER	TEST CONDITION	SYMBOL	MIN.	TYP.	MAX.	UNIT	
Climatic Classification	according to IEC 68 part 1			55/100/21			
Comparative Tracking Index		CTI	175		399		
Maximum transient isolation voltage		V_{IOTM}	6000			V	
Maximum repetitive peak isolation voltage		V_{IORM}	560			V	
Output safety power		P_{SO}			350	mW	
Input safety current		I_{SI}			150	mA	
Input safety temperature		T_{SI}			165	$^{\circ}$ C	
Creepage distance			≥ 4			mm	
Clearance distance			≥ 4			mm	
Insulation resistance	$V_{IO} = 500\text{ V}$, $T_{amb} = 25\text{ }^{\circ}\text{C}$, $R_{ISOL}^{(1)}$	R_{IO}	$\geq 10^{12}$			Ω	
	$V_{IO} = 500\text{ V}$, $T_{amb} = 100\text{ }^{\circ}\text{C}$, $R_{ISOL}^{(1)}$	R_{IO}	$\geq 10^{11}$			Ω	
Insulation thickness			0.2			mm	

Notes

- As per IEC 60747-5-5, §7.4.3.8.1, this optocoupler is suitable for “safe electrical insulation” only within the safety ratings. Compliance with the safety ratings shall be ensured by means of protective circuits.
- (1) Device considered a two-terminal device: pins 1, 2, 3, and 4 shorted together and pins 5, 6, 7, and 8 shorted together.

TYPICAL CHARACTERISTICS ($T_{amb} = 25\text{ }^{\circ}\text{C}$, unless otherwise specified)

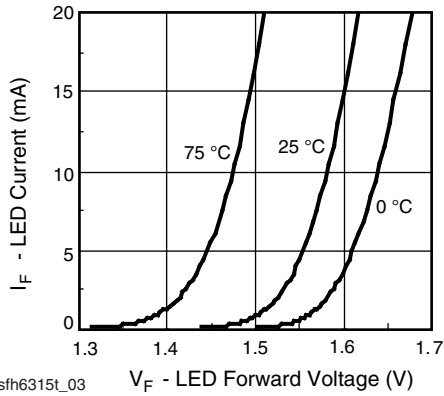


Fig. 3 - LED Forward Current vs. Forward Voltage

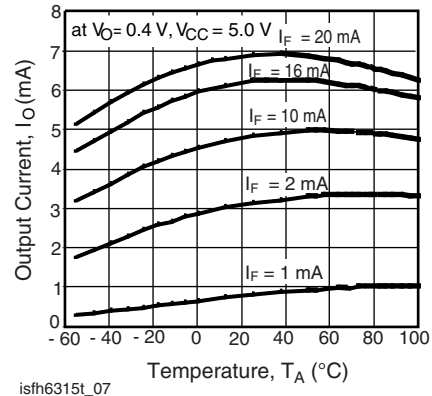


Fig. 6 - Output Current vs. Temperature

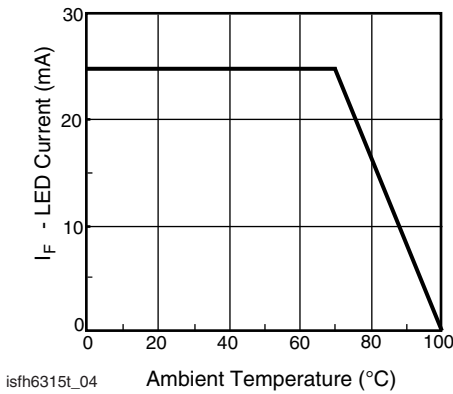


Fig. 4 - Permissible Forward LED Current vs. Temperature

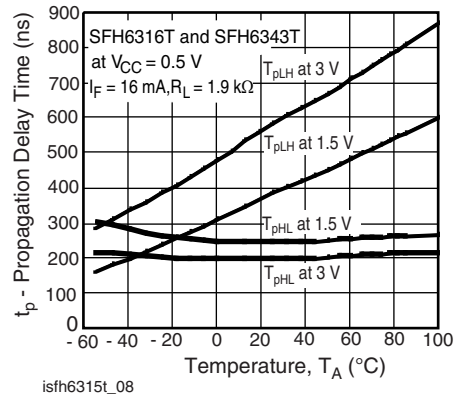


Fig. 7 - Propagation Delay vs. Temperature SFH6316T and SFH6343T

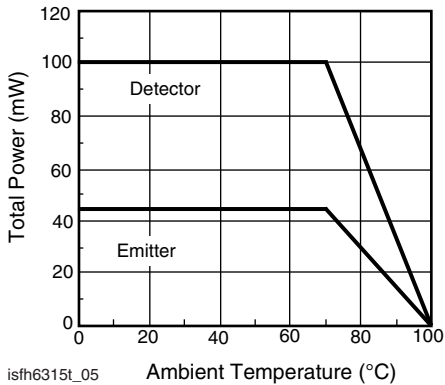


Fig. 5 - Permissible Power Dissipation vs. Temperature

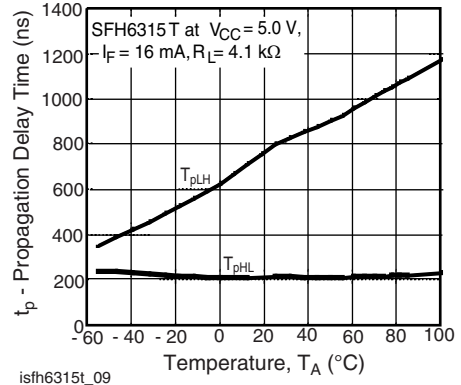


Fig. 8 - Propagation Delay vs. Temperature SFH6315T

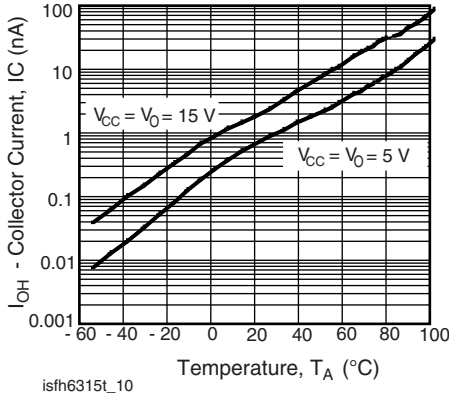


Fig. 9 - Logic High Output Current vs. Temperature

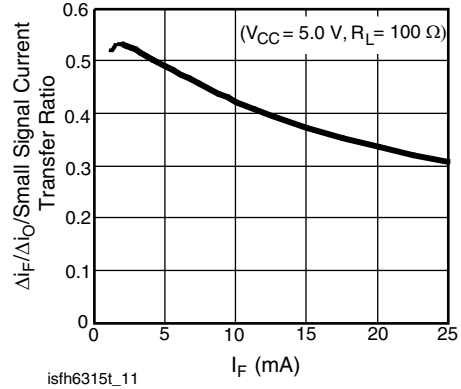
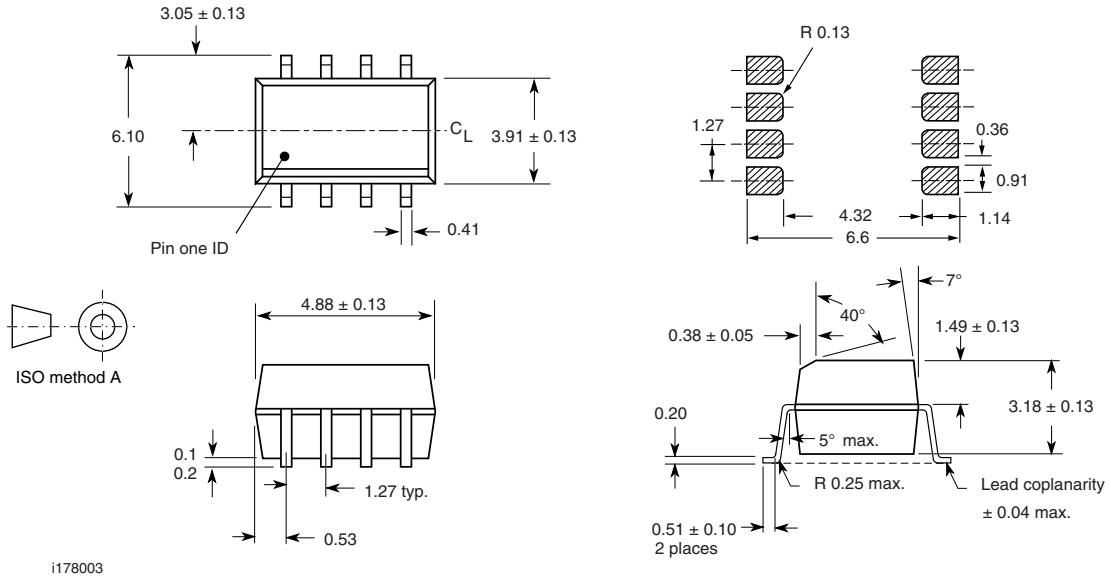
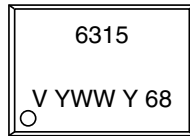


Fig. 10 - Small Signal Current Transfer Ratio vs. Input Current

PACKAGE DIMENSIONS in millimeters



PACKAGE MARKING (Example of SFH6315T)



Note

- Tape and reel suffix (T) is not part of the package marking.



Disclaimer

ALL PRODUCT, PRODUCT SPECIFICATIONS AND DATA ARE SUBJECT TO CHANGE WITHOUT NOTICE TO IMPROVE RELIABILITY, FUNCTION OR DESIGN OR OTHERWISE.

Vishay Intertechnology, Inc., its affiliates, agents, and employees, and all persons acting on its or their behalf (collectively, "Vishay"), disclaim any and all liability for any errors, inaccuracies or incompleteness contained in any datasheet or in any other disclosure relating to any product.

Vishay makes no warranty, representation or guarantee regarding the suitability of the products for any particular purpose or the continuing production of any product. To the maximum extent permitted by applicable law, Vishay disclaims (i) any and all liability arising out of the application or use of any product, (ii) any and all liability, including without limitation special, consequential or incidental damages, and (iii) any and all implied warranties, including warranties of fitness for particular purpose, non-infringement and merchantability.

Statements regarding the suitability of products for certain types of applications are based on Vishay's knowledge of typical requirements that are often placed on Vishay products in generic applications. Such statements are not binding statements about the suitability of products for a particular application. It is the customer's responsibility to validate that a particular product with the properties described in the product specification is suitable for use in a particular application. Parameters provided in datasheets and/or specifications may vary in different applications and performance may vary over time. All operating parameters, including typical parameters, must be validated for each customer application by the customer's technical experts. Product specifications do not expand or otherwise modify Vishay's terms and conditions of purchase, including but not limited to the warranty expressed therein.

Except as expressly indicated in writing, Vishay products are not designed for use in medical, life-saving, or life-sustaining applications or for any other application in which the failure of the Vishay product could result in personal injury or death. Customers using or selling Vishay products not expressly indicated for use in such applications do so at their own risk. Please contact authorized Vishay personnel to obtain written terms and conditions regarding products designed for such applications.

No license, express or implied, by estoppel or otherwise, to any intellectual property rights is granted by this document or by any conduct of Vishay. Product names and markings noted herein may be trademarks of their respective owners.

Material Category Policy

Vishay Intertechnology, Inc. hereby certifies that all its products that are identified as RoHS-Compliant fulfill the definitions and restrictions defined under Directive 2011/65/EU of The European Parliament and of the Council of June 8, 2011 on the restriction of the use of certain hazardous substances in electrical and electronic equipment (EEE) - recast, unless otherwise specified as non-compliant.

Please note that some Vishay documentation may still make reference to RoHS Directive 2002/95/EC. We confirm that all the products identified as being compliant to Directive 2002/95/EC conform to Directive 2011/65/EU.

Vishay Intertechnology, Inc. hereby certifies that all its products that are identified as Halogen-Free follow Halogen-Free requirements as per JEDEC JS709A standards. Please note that some Vishay documentation may still make reference to the IEC 61249-2-21 definition. We confirm that all the products identified as being compliant to IEC 61249-2-21 conform to JEDEC JS709A standards.