



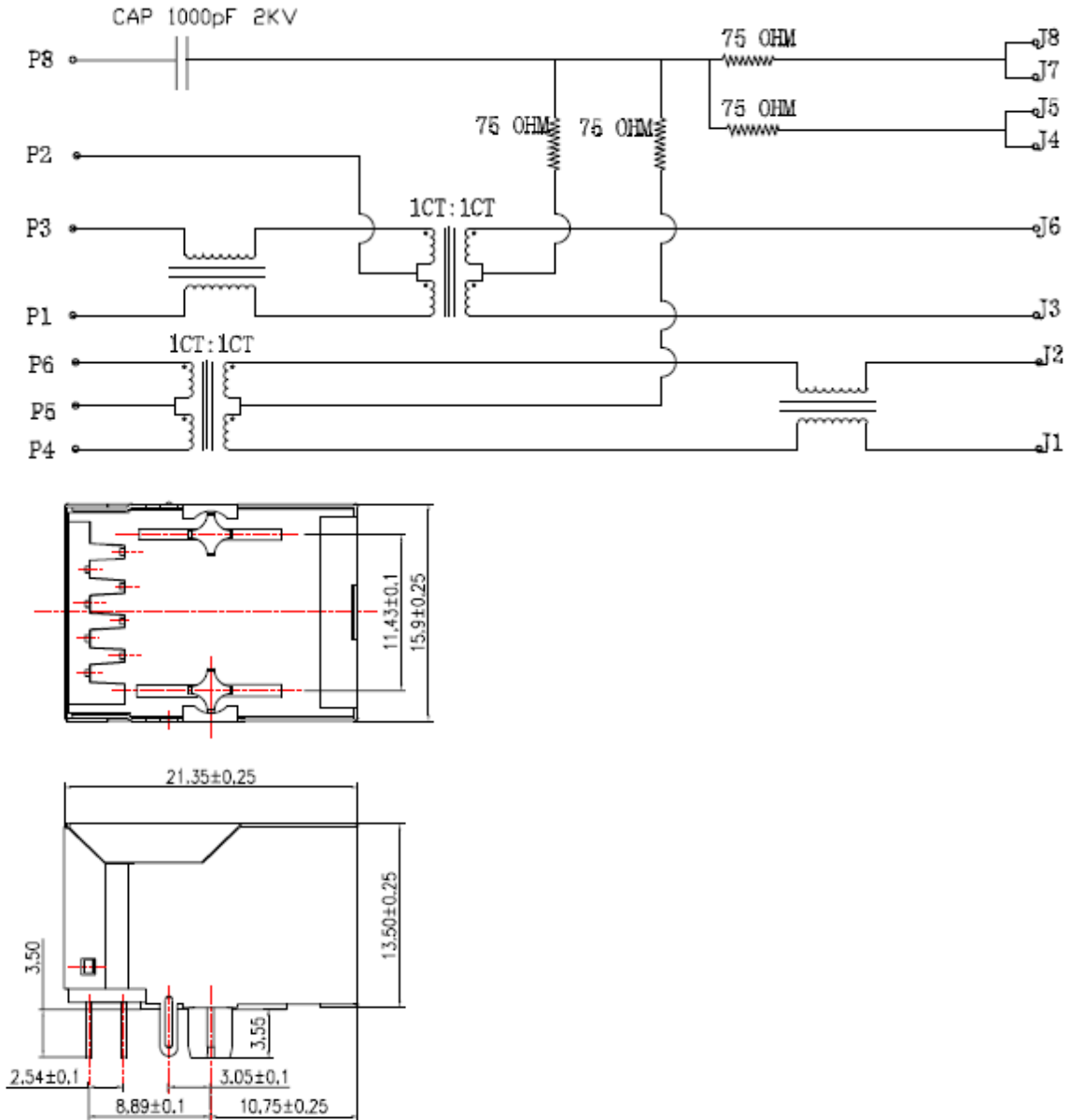
PRAN ELECTRONICS PVT. LTD.

52, GIDC, Makarpura, Vadodara - 390 010. India.
Phone : +91 - 265 - 263 2916, 263 5920 Fax : + 91 - 265 - 263 5918
E-mail : info@pranelectronics.com Web : www.pranelectronics.com

AN ISO 9001:2000 COMPANY

1Port Magnetic Jack

Specifications: Part No: JP-TS-10024-1



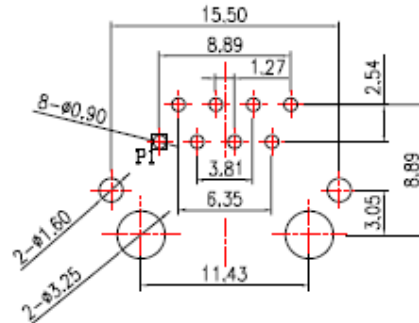


PRAN ELECTRONICS PVT. LTD.

52, GIDC, Makarpura, Vadodara - 390 010. India.
Phone : +91 - 265 - 263 2916, 263 5920 Fax : + 91 - 265 - 263 5918
E-mail : info@pranelectronics.com Web : www.pranelectronics.com

AN ISO 9001:2000 COMPANY

Specifications: Part No: JP-TS-10024-1



P.C.B RECOMMENDED HOLE LAYOUT SEEN FROM COMPONENT SIDE.

ALL CENTERLINE DIMENSIONS ARE BASIC

Electrical Specifications:

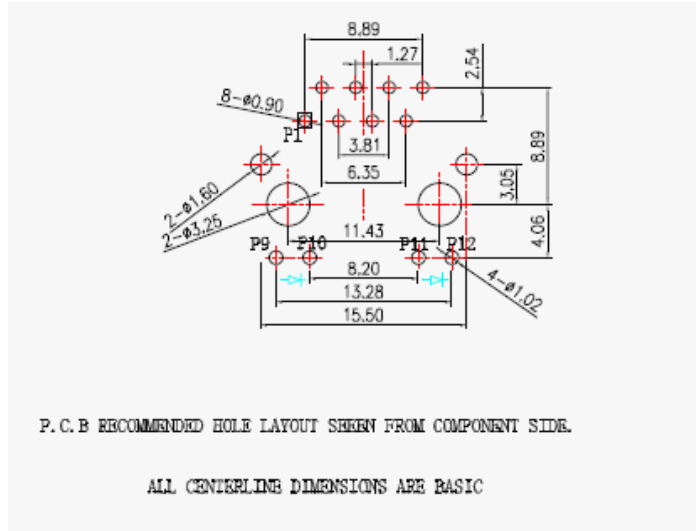
- Turns Ratio: P1~P3: J1~J2
P4~P6: J3~J6
1:1 \pm 3%
1:1 \pm 3%
- Inductance: P1~P3
P4~P6
350uH Min @0.1V, 100KHz, 8mA DC bias
350uH Min @0.1V, 100KHz, 8mA DC bias
- Leakage Inductance: P1~P3 (with J1 & J2 Short)
P4~P6 (with J3 & J6 Short)
0.3uH Max @ 1MHz
0.3uH Max @ 1MHz
- Interwinding Capacitance: P1~P3: J1~J2
P4~P6: J3~J6
30pF Max @ 1MHz
30pF Max @ 1MHz
- DC Resistance: J1~J2:J3~J6
1.2 Ohms Max
- Return Loss: 1MHz to 30MHz
30MHz to 80MHz
-18dB min.
-12dB min.
- Dielectric withstand: P1~P3: J1~J2
P4~P6: J3~J6
1500VAC
1500VAC
- Insertion Loss: RS=RL = 100 Ohm 100 KHz to 80MHz
-1.1dB min.
- Rise time: RS = 100 Ohms and RL = 100 Ohms
Output Voltage = 1V Peak
Pulse Width = 112nS
3.0nS max.
3.0nS max.
- Cross talk: 1MHz to 100 MHz
40dB Typ.
- Common to common mode attenuation: 30MHz to 100MHz
35dB Typ.



PRAN ELECTRONICS PVT. LTD.

52, GIDC, Makarpura, Vadodara - 390 010. India.
Phone : +91 - 265 - 263 2916, 263 5920 Fax : + 91 - 265 - 263 5918
E-mail : info@pranelectronics.com Web : www.pranelectronics.com

AN ISO 9001:2000 COMPANY



Specifications: Part No: JP-TS-10024-2

Electrical Specifications:

- Turns Ratio: P1~P3: J1~J2
P4~P6: J3~J6
1:1 \pm 3%
1:1 \pm 3%
- Inductance: P1~P3
P4~P6
350uH Min @0.1V, 100KHz, 8mA DC bias
350uH Min @0.1V, 100KHz, 8mA DC bias
- Leakage Inductance: P1~P3 (with J1 & J2 Short)
P4~P6 (with J3 & J6 Short)
0.3uH Max @ 1MHz
0.3uH Max @ 1MHz
- Interwinding Capacitance: P1~P3: J1~J2
P4~P6: J3~J6
30pF Max @ 1MHz
30pF Max @ 1MHz
- DC Resistance: J1~J2:J3~J6
1.2 Ohms Max
- Return Loss: 1MHz to 30MHz
30MHz to 80MHz
-18dB min.
-12dB min.
- Dielectric withstand: P1~P3: J1~J2
P4~P6: J3~J6
1500VAC
1500VAC
- Insertion Loss: RS=RL = 100 Ohm 100 KHz to 80MHz
-1.1dB min.
- Rise time: RS = 100 Ohms and RL = 100 Ohms
Output Voltage = 1V Peak
Pulse Width = 112nS
3.0nS max.
3.0nS max.
- Cross talk: 1MHz to 100 MHz
40dB Typ.
- Common to common mode attenuation: 30MHz to 100MHz
35dB Typ.



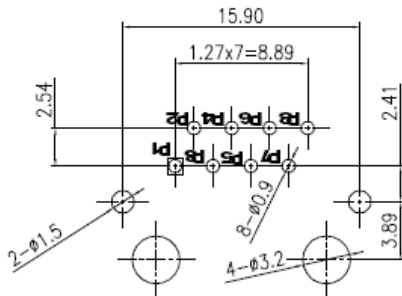
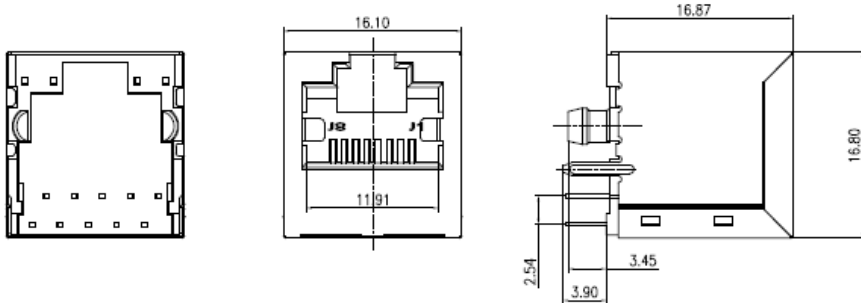
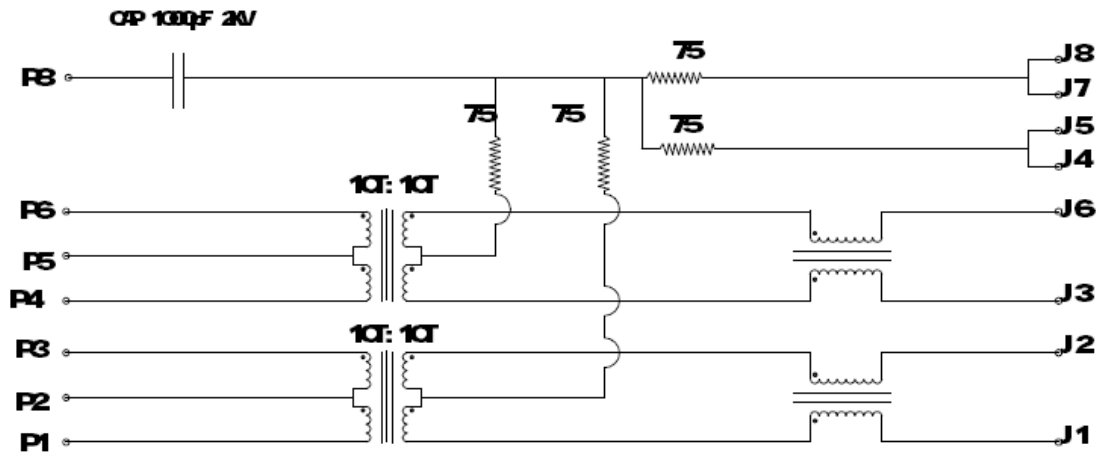
PRAN ELECTRONICS PVT. LTD.

52, GIDC, Makarpura, Vadodara - 390 010. India.
Phone : +91 - 265 - 263 2916, 263 5920 Fax : + 91 - 265 - 263 5918
E-mail : info@pranelectronics.com Web : www.pranelectronics.com

AN ISO 9001:2000 COMPANY

1Port Magnetic Jack with LED

Specifications: Part No: JP-TS-20003



P.C.B recommended hole layout seen from Component Side
All Centering dimensions are basic.



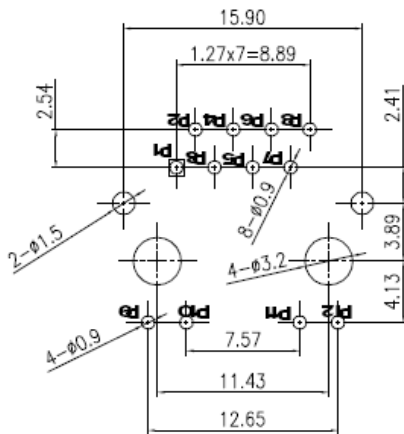
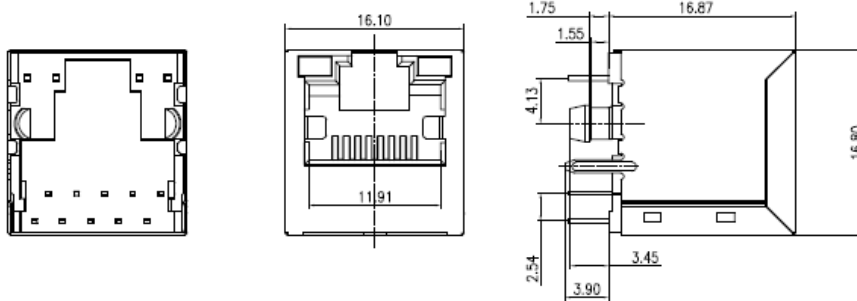
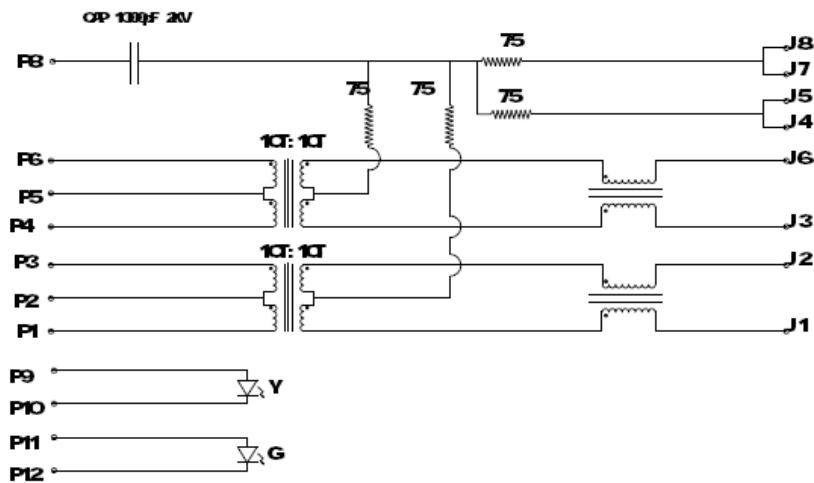
PRAN ELECTRONICS PVT. LTD.

52, GIDC, Makarpura, Vadodara - 390 010. India.
Phone : +91 - 265 - 263 2916, 263 5920 Fax : + 91 - 265 - 263 5918
E-mail : info@pranelectronics.com Web : www.pranelectronics.com

AN ISO 9001:2000 COMPANY

1Port Magnetic Jack with LED

Specifications: Part No: JP-TS-20003-2



P.C.B recommended hole layout seen from Component Side

All Centering dimensions are basic.



PRAN ELECTRONICS PVT. LTD.

52, GIDC, Makarpura, Vadodara - 390 010. India.
Phone : +91 - 265 - 263 2916, 263 5920 Fax : + 91 - 265 - 263 5918
E-mail : info@pranelectronics.com Web : www.pranelectronics.com

AN ISO 9001:2000 COMPANY

Specifications: Part No: JP-TS-20003-2

Electrical Specifications:

- | | |
|--------------------------------------------------------|--------------------------------------|
| 1. Turns Ratio: P1~P3: J1~J2 | 1:1 \pm 3% |
| P4~P6: J3~J6 | 1:1 \pm 3% |
| 2. Inductance: P1~P3 | 350uH Min @0.1V, 100KHz, 8mA DC bias |
| P4~P6 | 350uH Min @0.1V, 100KHz, 8mA DC bias |
| 3. Leakage Inductance: P1~P3 (with J1 & J2 Short) | 0.3uH Max @ 1MHz |
| P4~P6 (with J3 & J6 Short) | 0.3uH Max @ 1MHz |
| 4. Interwinding Capacitance: P1~P3: J1~J2 | 30pF Max @ 1MHz |
| P4~P6: J3~J6 | 30pF Max @ 1MHz |
| 5. DC Resistance: J1~J2:J3~J6 | 1.2 Ohms Max |
| 6. Return Loss: 1MHz to 30MHz | -18dB min. |
| 30MHz to 80MHz | -12dB min. |
| 7. Dielectric withstand: P1~P3: J1~J2 | 1500VAC |
| P4~P6: J3~J6 | 1500VAC |
| 8. Insertion Loss: RS=RL = 100 Ohm 100 KHz to 80MHz | -1.1dB min. |
| 9. Rise time: RS = 100 Ohms and RL = 100 Ohms | |
| Output Voltage = 1V Peak | 3.0nS max. |
| Pulse Width = 112nS | 3.0nS max. |
| 10. Cross talk: 1MHz to 100 MHz | 40dB Typ. |
| 11. Common to common mode attenuation: 30MHz to 100MHz | 35dB Typ. |



PRAN ELECTRONICS PVT. LTD.

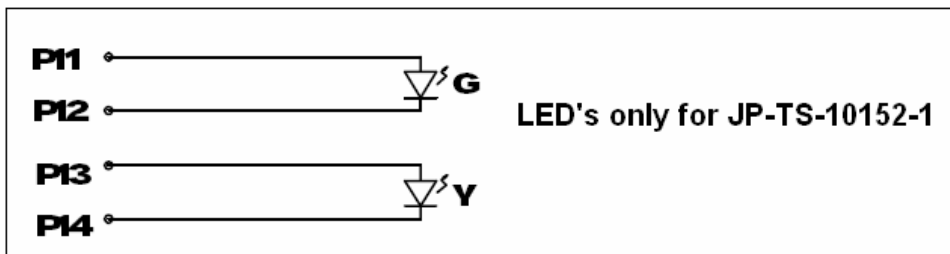
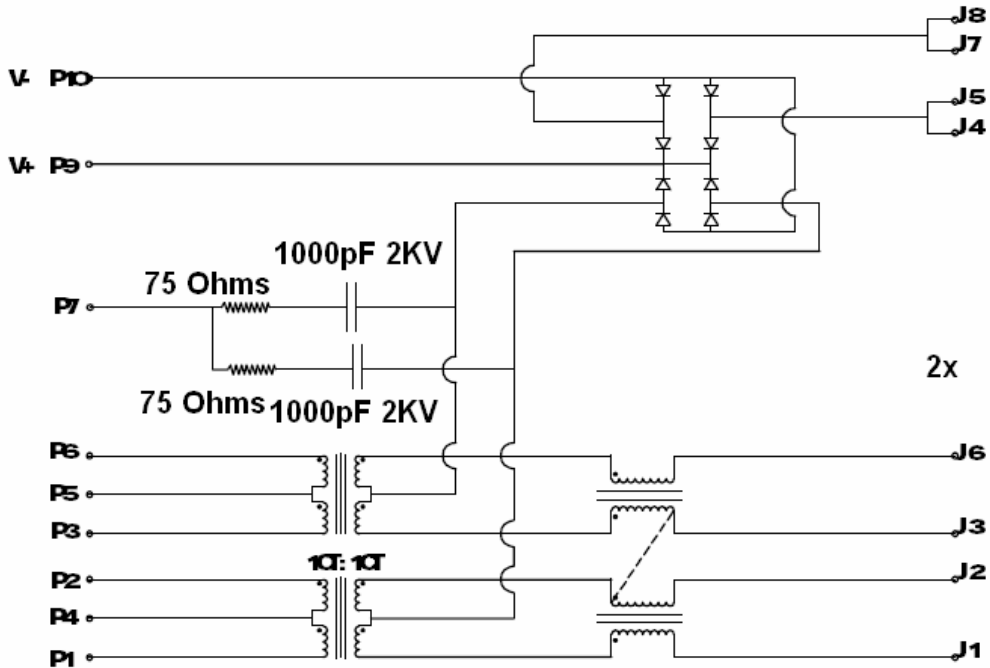
52, GIDC, Makarpura, Vadodara - 390 010. India.
Phone : +91 - 265 - 263 2916, 263 5920 Fax : + 91 - 265 - 263 5918
E-mail : info@pranelectronics.com Web : www.pranelectronics.com

AN ISO 9001:2000 COMPANY

POE, Power over Ethernet Jack with transformer with or without LED

Specifications: Part No: JP-TS-10152 / JP-TS-10152-1(with LED)

POE RJ45 10/100 base –Tx modular jack with transformer



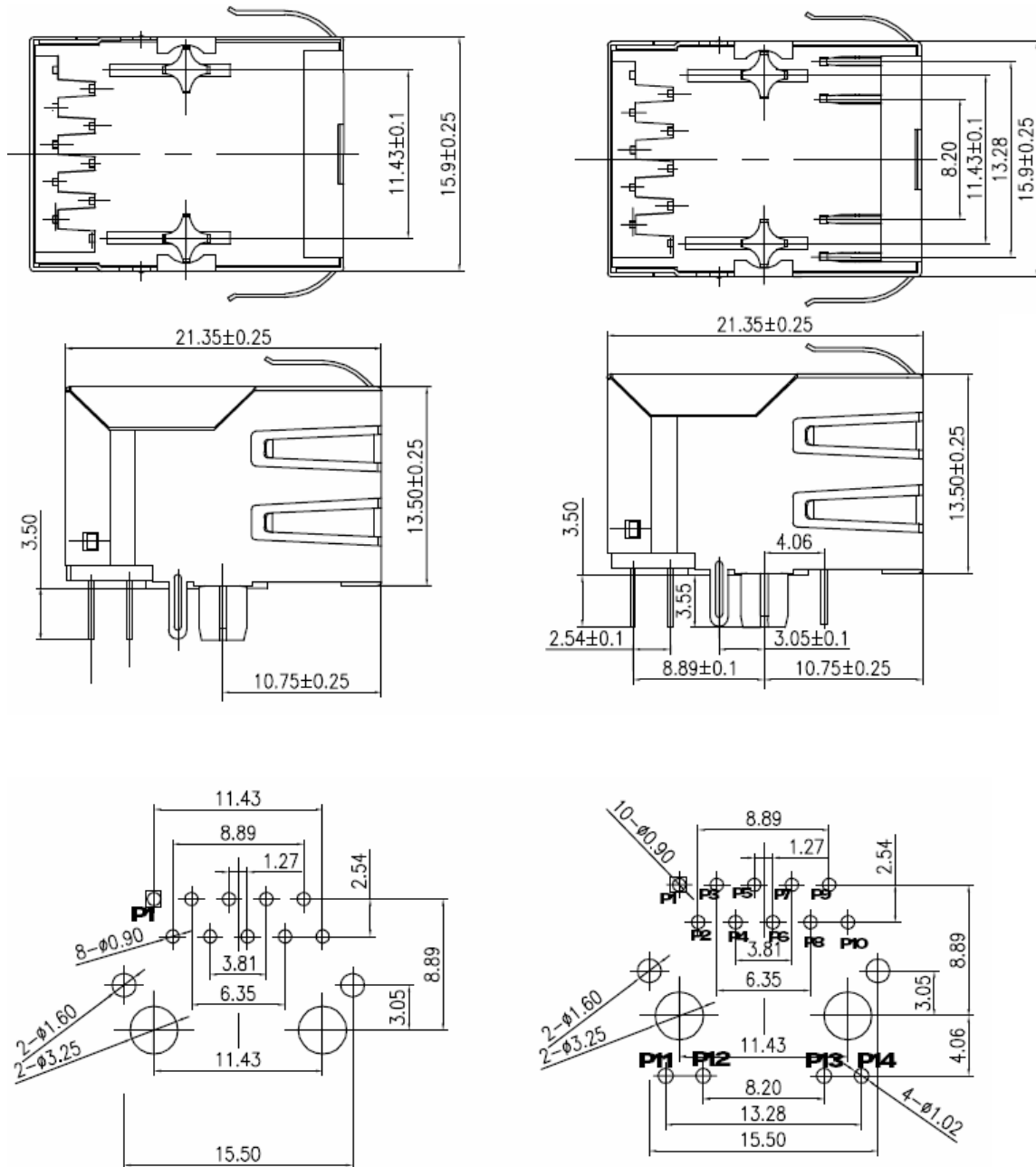


PRAN ELECTRONICS PVT. LTD.

52, GIDC, Makarpura, Vadodara - 390 010. India.
Phone : +91 - 265 - 263 2916, 263 5920 Fax : + 91 - 265 - 263 5918
E-mail : info@pranelectronics.com Web : www.pranelectronics.com

AN ISO 9001:2000 COMPANY

Specifications: Part No: JP-TS-10152 / JP-TS-10152-1(with LED)



PCB Hole layout as seen from component side, all center line dimensions are basic

