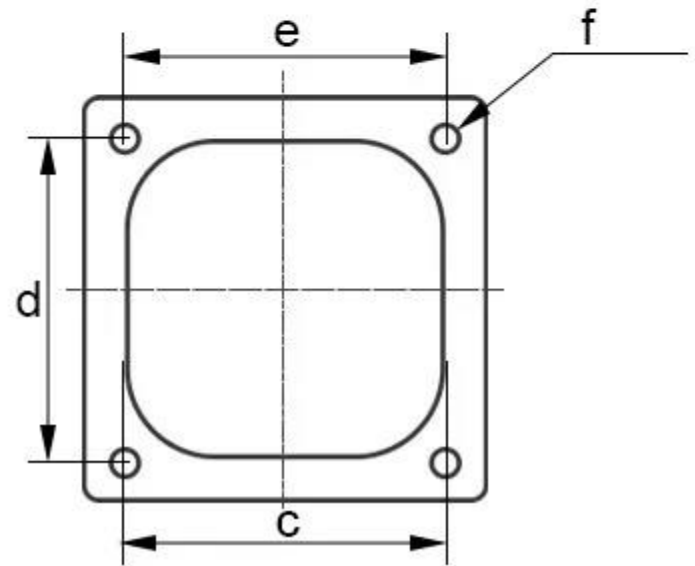
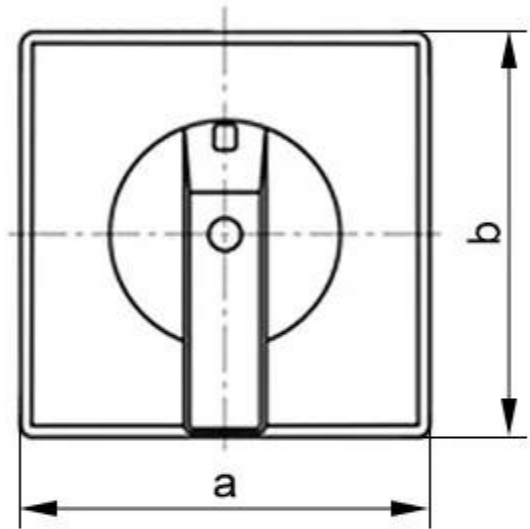
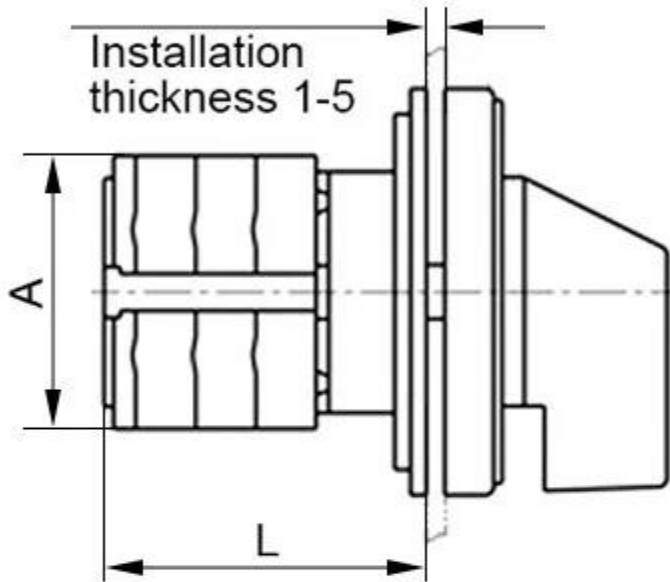


## The Size (mm)

A	L	a	b	c	d	e	f
43	41.2	48	48	36	36	36	3.5





# Main technical parameters



The following table shows the conversion of the Main technical parameters Switch.

Models	lth A	Ui V	Ue V	AC-21A	AC-22A	AC-23A	AC-2	AC-3	AC-4	AC-15		DC-13		
				le A	le A	le P A kW	le P A kW	le A	P kW	le A	P kW	le A	le A	
LW28-20	20	660	440	20	20	15 7.5	15 7.5	11	5.5	3.5	1.5	4		
			240									5	1	
			120										5	
LW28-25	25	660	440	25	25	22 11	22 11	15	7.5	6.5	3	5		
			240									8	1.5	
			120										9	
LW28-32	32	660	440	32	32	30 15	30 15	22	11	11	5.5	6		
			240									14	11	
			120										25	
LW28-63	63	660	440	63	63	57 30	57 30	36	18.5	15	7.5			
			120										55	
LW28-125	125		125	125	125	100 45	100 45	50	22	18	12		90	
LW28-160	160		160	160	160	115 57	115 57	65	33	25	15		110	
Operation Cycle	Unladen		8500									Life (Meeting)		
	Load		1500									20×10 <sup>4</sup>   6×10 <sup>4</sup>		
	Total		1000									Mechanical life (Meeting)		
													60×10 <sup>4</sup>	

Models	Face Shape	Size (mm)				A	b	d1	d2
		A	B						
		C	L						
LW28-20	M1Square	48	48	40	22+9.6n	36	36	φ 8.5	φ 4.5
	M1Rectangular	48	60	43	22+9.6n	36	36	φ 8.5	φ 4.5
	M2Square	64	64	43	25+9.6n	4	4	φ 10	φ 4.5
	M2Rectangular	64	80	43	25+9.6n	48	48	φ 10	φ 4.5
LW28-25	M1Square	48	48	45.2	23+12.8n	36	36	φ 8.5	φ 4.5
	M1Rectangular	48	60	45.2	23+12.8n	36	36	φ 8.5	φ 4.5
	M2Square	64	64	45.2	26.5+12.8n	48	48	φ 10	φ 4.5
	M2Rectangular	64	80	45.2	26.5+12.8n	48	48	φ 10	φ 4.5
LW28-32	M2Square	64	64	58	29.2+12.8n	48	48	φ 10	φ 4.5
	M2Rectangular	64	80	58	29.2+12.8n	48	48	φ 10	φ 4.5
LW28-63	M2Square	64	64	66	29.2+21.5n	48	48	φ 10	φ 4.5
	M2Rectangular	64	80	66	29.2+21.5n	48	48	φ 10	φ 4.5
	M3Square	88	88	66	29.2+21.5n	68	68	φ 10	φ 4.5
	M3Rectangular	88	107	66	29.2+21.5n	68	68	φ 10	φ 4.5
LW28-125	M3Square	88	88	84	35+26.5n	68	68	φ 13	φ 6
	M3Rectangular	88	107	84	35+26.5n	68	68	φ 13	φ 6
LW28-160	M3Square	88	88	88	35+32.5n	68	68	φ 13	φ 6
	M3Rectangular	88	107	88	35+32.5n	68	68	φ 13	φ 6