

**LA7214**

VCR-Use Automatic Channel Selection Peripheral

Overview

The LA7214 is a VCR-use automatic channel selection peripheral IC that contains a sync separator, a video buffer, and a comparator.

Functions and Features

- Sync separator
- Video buffer
- Comparator
- Recommended supply voltage : 5V
- Sync separator, comparator output of open collector type ($R_L=10k\Omega$), negative polarity output.

Specifications

Maximum Ratings at $T_a=25^\circ\text{C}$

| Parameter | Symbol | Conditions | Ratings | Unit |
|-----------------------------|----------------------|-----------------------------|-------------|------------------|
| Maximum supply voltage | $V_{CC \text{ max}}$ | | 7.0 | V |
| Allowable power dissipation | $P_d \text{ max}$ | $T_a \leq 75^\circ\text{C}$ | 150 | mW |
| Operating temperature | T_{op} | | -15 to +75 | $^\circ\text{C}$ |
| Storage temperature | T_{stg} | | -40 to +125 | $^\circ\text{C}$ |

Operating Conditions at $T_a=25^\circ\text{C}$

| Parameter | Symbol | Conditions | Ratings | Unit |
|----------------------------|---------------------|------------|---------|------|
| Recommended supply voltage | V_{CC} | | 5.0 | V |
| Operating voltage range | $V_{CC \text{ op}}$ | | 4 to 6 | V |

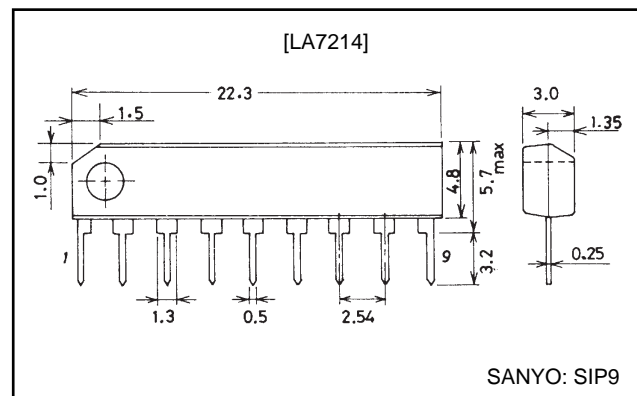
Operating Characteristics at $T_a=25^\circ\text{C}$, $V_{CC}=5\text{V}$

| Parameter | Symbol | Conditions | Ratings | | | Unit |
|-------------------------------------|-------------------|---|---------|-----|-----|---------------|
| | | | min | typ | max | |
| Circuit Current | I_{CC} | No load | 4 | 6.5 | 9 | mA |
| Sync separation operating current | I_{SYNC} | SW1=b | | 85 | | μA |
| Sync separation minimum input level | $V_I \text{ min}$ | Color bar signal $1V_p-p=0\text{dB}$, SW1=a | | -12 | | dB |
| Buffer amp gain | G_1 | $R_L=240\Omega$, $V_{IN}=1V_p-p$, 500kHz | -2 | -1 | 0 | dB |
| Buffer amp gain | G_2 | $R_L=240\Omega$, $V_{IN}=1V_p-p$, 5MHz | -2 | -1 | 0 | dB |
| Comparator reference voltage | V_7 | | | 2.5 | | V |
| Hysteresis amount | ΔV_7 | $\Delta V_7=V_{7H}-V_{7L}$ | | 50 | | mV |
| Output DC level | V_{1H} | No load | 4.9 | | | V |
| Output DC level | V_{1L} | No load | | | 0.2 | V |
| Output DC level | V_{8H} | No load | 4.9 | | | V |
| Output DC level | V_{8L} | No load | | | 0.2 | V |

Package Dimensions

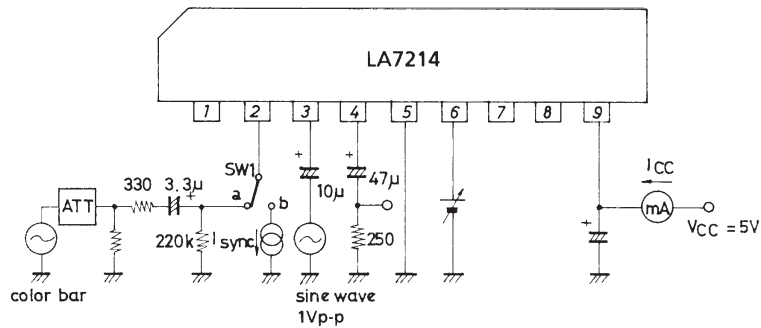
unit: mm

3017C-SIP9



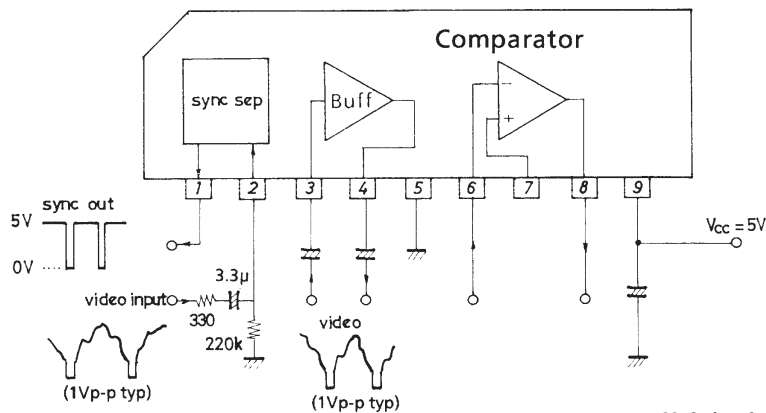
LA7214

Test Circuit



Unit (resistance : Ω , Capacitance : F)

Sample Application Circuit



Unit (resistance : Ω , Capacitance : F)

■ No products described or contained herein are intended for use in surgical implants, life-support systems, aerospace equipment, nuclear power control systems, vehicles, disaster/crime-prevention equipment and the like, the failure of which may directly or indirectly cause injury, death or property loss.

■ Anyone purchasing any products described or contained herein for an above-mentioned use shall:

- ① Accept full responsibility and indemnify and defend SANYO ELECTRIC CO., LTD., its affiliates, subsidiaries and distributors and all their officers and employees, jointly and severally, against any and all claims and litigation and all damages, cost and expenses associated with such use:
- ② Not impose any responsibility for any fault or negligence which may be cited in any such claim or litigation on SANYO ELECTRIC CO., LTD., its affiliates, subsidiaries and distributors or any of their officers and employees jointly or severally.

■ Information (including circuit diagrams and circuit parameters) herein is for example only; it is not guaranteed for volume production. SANYO believes information herein is accurate and reliable, but no guarantees are made or implied regarding its use or any infringements of intellectual property rights or other rights of third parties.

This catalog provides information as of July, 1997. Specifications and information herein are subject to change without notice.

This datasheet has been download from:

www.datasheetcatalog.com

Datasheets for electronics components.