

REVISION RECORD				
REV	ECN	DESCRIPTION	DRFT	DATE

NOTES1:

UL Standard

1. Rated Voltage/Current : 600V / 30A
2. Withstanding Voltage : AC2200V/1Min.
3. Torque Value : M3 , 4.43Lb.in
4. Wire Range : 22~10AWG

IEC Standard

1.

Pollution Degree	3
Overvoltage Category	III
Rate Impulse Voltage(KV)	8.0KV
Rate Voltage(V)	1000V
Rate Current(A)	32A

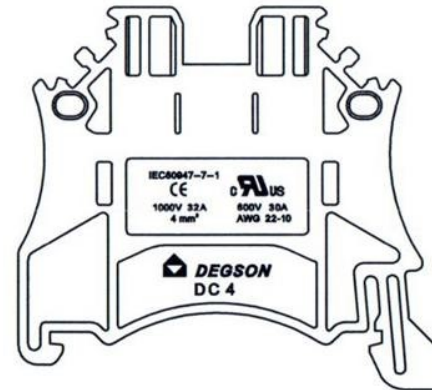
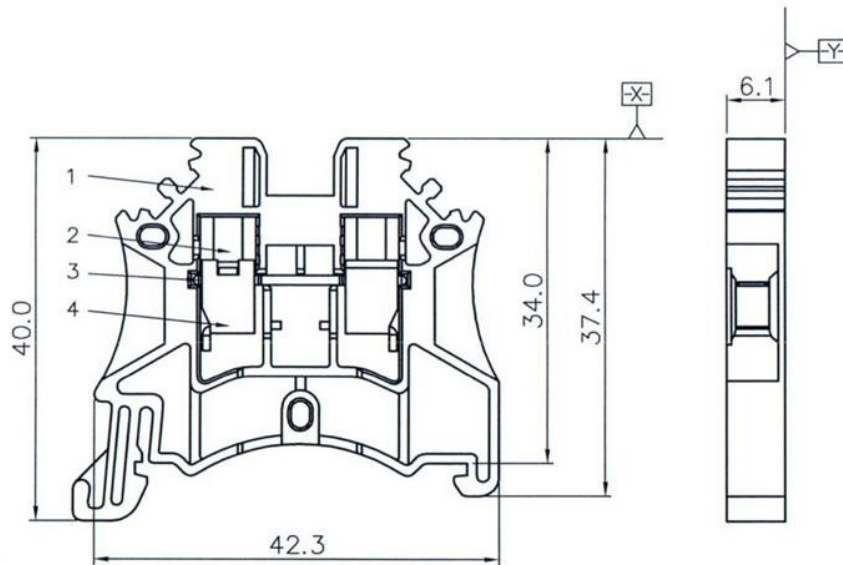
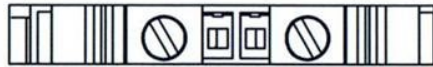
2. Torque Value : M3 , 0.5N.m
3. Wire Range : 0.5~4mm²

NOTES2:

1. Dimension shall be interpreted per ASME Y14.5-2009
2. Pitch : 6.1mm, Poles : 01P
3. Stripping length : 8-9mm
4. Operating temperature: -40°C~+105°C
5. Undimensioned Tolerances:

Pitch Range In mm	Nominal Dimension Range In mm						- / \square / \square	
	Over 6 TO 10	Over 10 TO 24	Over 30 TO 60	Over 60 TO 100	Over 100 TO 150	Over 150		
TO 6	TO 10	TO 24	TO 30	TO 60	TO 100	TO 150	0.1/10	
±0.15	±0.20	±0.30	±0.30	±0.50	±0.70	±1.00	±1.30	±2°

6. RoHS Compliance



4	GAGE	2	STEEL	M3/Zn PLATED
3	CURRENT CARRIER	1	COPPER ALLOY	Sn PLATED
2	SCREW	2	STEEL	M3/Zn PLATED
1	HOUSING	1	PA66	UL94V-0
ITEM	NAME OF PART	Q"TY	MATERIAL	NOTES

仅供参考图
 蓝贵A
 日期: 2016.06.14

DETACHED LISTS	PART NO.: /	宁波高松电子有限公司 NINGBO DEGSON ELECTRICAL CO., LTD		
	APPD: Alan 06/14/16"	NAME: DC4-01P-1Y-00A(H)		
	CHKD: ZYK 06/14/16"	TITLE: CUSTOMER DRAWING		
	DRFT: ding 2015/10/28	REV DO-1		
DRAWING NO.: DC4-C01		SHEET 1/1		
THIRD ANGLE PROJECTION		SCALE 1:1		
MM (INCH)		DO NOT SCALE DRAWING		