

The LA7116 is a VCR servo interface IC that can be used in conjunction with the LC7412, 7413 to form a servo system with a good cost performance.

Functions

- Drum FG amp
- Capstan FG amp
- CTL amp
- Drum PG amp
- OP amp × 2

Features

- The OP amp section can be operated from a voltage of up to 12V.
- Selectable threshold voltage of CLT Schmitt section

Maximum Ratings at Ta = 25°C

			unit
Maximum Supply Voltage	V _{CC 1}	7.0	V
	V _{CC 2}	15.0	V
Allowable Power Dissipation	P _{d max}	Ta ≤ 65°C	200 mW
Operating Temperature	T _{opr}	-15 to +65	°C
Storage Temperature	T _{stg}	-40 to +125	°C

Operating Conditions at Ta = 25°C

			unit
Recommended Supply Voltage	V _{CC}	5.0	V
Operating Voltage Range	V _{CC op1}	4.5 to 5.5	V
	V _{CC op2}	4.5 to 13.0	V

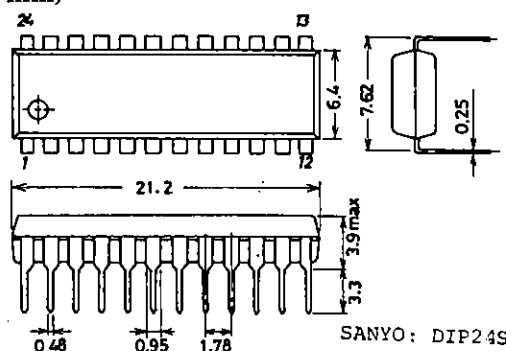
Operating Characteristics at Ta = 25°C, V_{CC} = 5V

			min	typ	max	unit
Circuit Current	I _{CC 1}	Quiescent, no load	2.0	4.0	6.0	mA
CTL Amp Bias Voltage	V ₅	Quiescent, no load	2.4	2.5	2.6	V
PG Amp Bias Voltage	V ₁₅	Quiescent, no load	2.4	2.5	2.6	V
PG Amp Bias Voltage	V ₁₆	Quiescent, no load	2.4	2.5	2.6	V
Reference Voltage	V ₂₁	Quiescent, no load	2.4	2.5	2.6	V
	V ₂₀	Quiescent, no load	2.4	2.5	2.6	V

Continued on next page.

Package Dimensions 3067

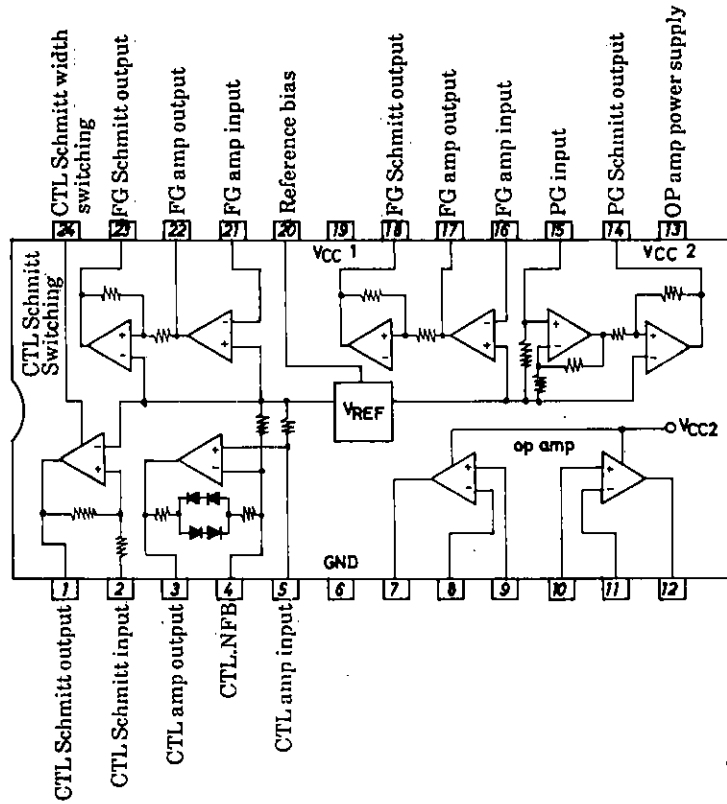
(unit: mm)



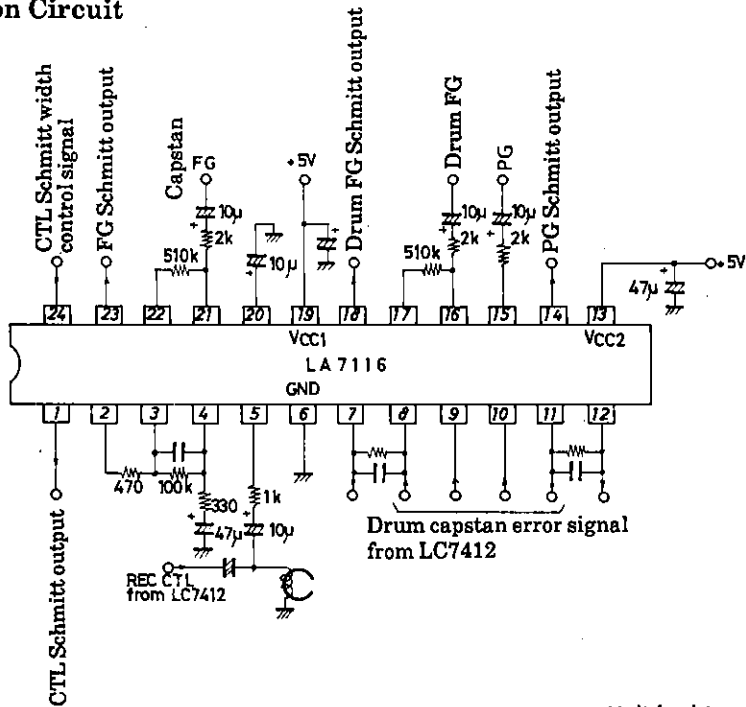
LA7116

Continued from preceding page.			min	typ	max	unit
CTL Output Voltage	V _{OHCTL}	I ₁ = +0.5mA	4.0			V
	V _{OLCTL}	I ₁ = -0.5mA			1.0	V
PG Output Voltage	V _{OHPG}	I ₁₄ = +0.5mA	4.0			V
	V _{OLPG}	I ₁₄ = -0.5mA			1.0	V
FG Output Voltage	V _{OHFG1}	I ₁₈ = +0.5mA	4.0			V
	V _{OLFG1}	I ₁₈ = -0.5mA			1.0	V
	V _{OHFG2}	I ₂₃ = +0.5mA	4.0			V
	V _{OLFG2}	I ₂₃ = -0.5mA			1.0	V
CTL Amp Gain	G _{CTL}	SG1:500Hz,1Vp-p,V ₃ =1Vp-p	48	50	52	dB
CTL Amp Frequency Characteristic	ΔG _{CTL}	SG1:10Hz,1Vp-p,V ₃ =1Vp-p	-6	-2		dB
FG Amp Gain	G _{FG1}	SG3:500Hz,1Vp-p,V ₁₇ =1Vp-p	46	48	50	dB
	G _{FG2}	SG4:500Hz,1Vp-p,V ₂₂ =1Vp-p	46	48	50	dB
FG Amp Frequency Characteristic	ΔG _{FG1}	SG3:20kHz,1Vp-p, V ₁₇ =1Vp-p	-10	-6		dB
	ΔG _{FG2}	SG4:20kHz,1Vp-p, V ₂₂ =1Vp-p	-10	-6		dB
PG Schmitt Width	V _{HPG}	SG2:500Hz	48	60	72	mVp-p
FG Schmitt Width	V _{HFG1}	SG3:500Hz	185	230	275	mVp-p
	V _{HFG2}	SG4:500Hz	185	230	275	mVp-p
CTL Schmitt Width	V _{HCTL1}	SG1:500Hz,S1 = a	160	200	240	mVp-p
CTL Schmitt Width (Search)	V _{HCTL2}	SG1:500Hz,S1 = b	320	400	480	mVp-p
CTL Schmitt Width (Slow)	V _{HCTL3}	SG1:500Hz,S1 = c	+72	+92	+112	mV
CTL Schmitt Width (Slow)	V _{HCTL4}	SG1:500Hz,S1 = c	+34	+54	+70	mV
CTL Schmitt Width (Switching Level)	V _{24H}	S1 = d	3.0	3.5	4.0	V
	V _{24L}	S1 = d	1.0	1.5	2.0	V
[OP Amp Characteristics] at V _{CC} = 5 to 12V						
Circuit Current	I _{CC 2}		0.3	0.8	1.2	mA
Input Offset Voltage	V _{IO 1}			±2	±7	mV
	V _{IO 2}			±2	±7	mV
Input Offset Current	I _{IO 1}			±5	±50	nA
	I _{IO 2}			±5	±50	nA
Input Bias Current	I _{B 1}			45	250	nA
	I _{B 2}			45	250	nA
Output Current (Source)	I _{OSOC 1}		10			mA
	I _{OSOC 2}		10			mA
Output Current (Sink)	I _{OSNK 1}		10			mA
	I _{OSNK 2}		10			mA
Common-Mode Input Voltage Range	V _{ICM}		0	V _{CC} to 1.5		V
Output Voltage Range	V _{OUT}		0	V _{CC} to 1.5		V

Equivalent Circuit Block Diagram



Sample Application Circuit



Unit (resistance : Ω , capacitance : F)

- No products described or contained herein are intended for use in surgical implants, life-support systems, aerospace equipment, nuclear power control systems, vehicles, disaster/crime-prevention equipment and the like, the failure of which may directly or indirectly cause injury, death or property loss.
- Anyone purchasing any products described or contained herein for an above-mentioned use shall:
 - ① Accept full responsibility and indemnify and defend SANYO ELECTRIC CO., LTD., its affiliates, subsidiaries and distributors and all their officers and employees, jointly and severally, against any and all claims and litigation and all damages, cost and expenses associated with such use:
 - ② Not impose any responsibility for any fault or negligence which may be cited in any such claim or litigation on SANYO ELECTRIC CO., LTD., its affiliates, subsidiaries and distributors or any of their officers and employees jointly or severally.
- Information (including circuit diagrams and circuit parameters) herein is for example only; it is not guaranteed for volume production. SANYO believes information herein is accurate and reliable, but no guarantees are made or implied regarding its use or any infringements of intellectual property rights or other rights of third parties.

This catalog provides information as of **December, 1996**. Specifications and information herein are subject to change without notice.