



LA4525

Dual AF Power Amplifier for Radio Cassette Recorders

Overview

The LA4525 requires only a small number of external components to drive either two 4 Ω speakers or one 8 Ω speaker. The output power is typically 0.65 W when driving two 4 Ω speakers.

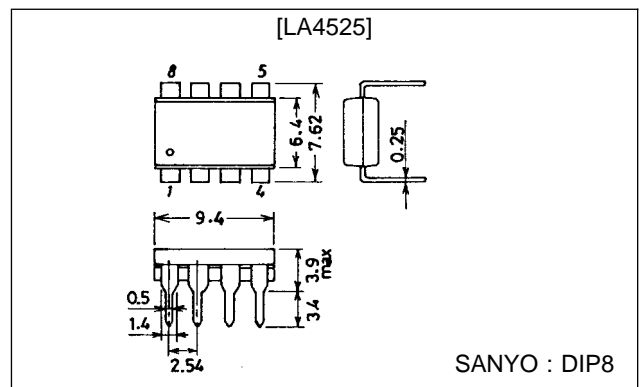
Features

- Two-channel (dual) or single-channel (BTL) operation
- Requires only a few external components.
- 0.65 W (typ) output power into two 4 Ω speakers
- Wide power supply range: 3 to 15 V
- 8-pin DIP (No heat sink needed)

Package Dimensions

unit : mm

3001B-DIP8



Specifications

Absolute Maximum Ratings at Ta = 25°C

Parameter	Symbol	Conditions	Ratings	Unit
Maximum supply voltage	V _{CC} max	Rg = 0	15	V
Allowable power dissipation	Pd max	Note	1.5	W
Operating temperature	T _{opr}		-25 to +75	°C
Storage temperature	T _{stg}		-40 to +150	°C

Note: Mounted on a 50 × 50 × 1.6 mm³ heat dissipating board

Recommended Operating Conditions at Ta = 25°C

Parameter	Symbol	Conditions	Ratings	Unit
Supply voltage	V _{CC}		6	V
Load resistance range	R _L		4	Ω
Supply voltage range	V _{CC} op	Not in excess of package Pd	3 to 15	V

■ Any and all SANYO products described or contained herein do not have specifications that can handle applications that require extremely high levels of reliability, such as life-support systems, aircraft's control systems, or other applications whose failure can be reasonably expected to result in serious physical and/or material damage. Consult with your SANYO representative nearest you before using any SANYO products described or contained herein in such applications.

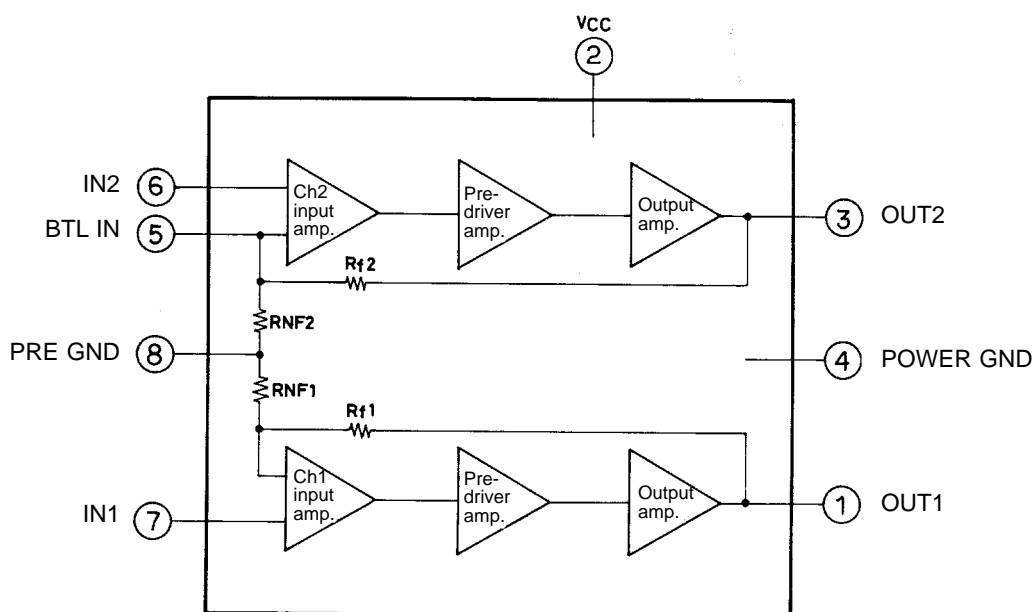
■ SANYO assumes no responsibility for equipment failures that result from using products at values that exceed, even momentarily, rated values (such as maximum ratings, operating condition ranges, or other parameters) listed in products specifications of any and all SANYO products described or contained herein.

LA4525

**Operating Characteristics at $V_{CC} = 6\text{ V}$, $T_a = 25^\circ\text{C}$, $R_L = 4\ \Omega$, $f = 1\text{ kHz}$, $R_g = 600\ \Omega$,
Dual operation unless otherwise noted**

Parameter	Symbol	Condition	min	typ	max	Unit
Quiescent supply current	I_{CCO}	$R_g = 0\ \Omega$	10	15	30	mA
Output power	P_{O1}	THD = 10%	0.45	0.65		W
	P_{O2}	$V_{CC} = 9\text{ V}$, $R_L = 8\ \Omega$, THD = 10%		1.0		W
Voltage gain	VG	$V_O = 0\text{ dBm}$	38	40	42	dB
Total harmonic distortion	THD	$P_O = 0.1\text{ W}$		0.2	0.7	%
Output noise voltage	V_{NO}	$R_g = 0\ \Omega$, DIN AUDIO filter		100	400	μV
Supply voltage ripple rejection	SVRR	$R_g = 0\ \Omega$, $f_R = 100\text{ Hz}$, $V_R = 0\text{ dBm}$	35	43		dB
Channel separation	CH Sep	$V_O = 0\text{ dBm}$, $R_g = 0\ \Omega$	45	55		dB
Input resistance	R_i		70	100	130	k Ω

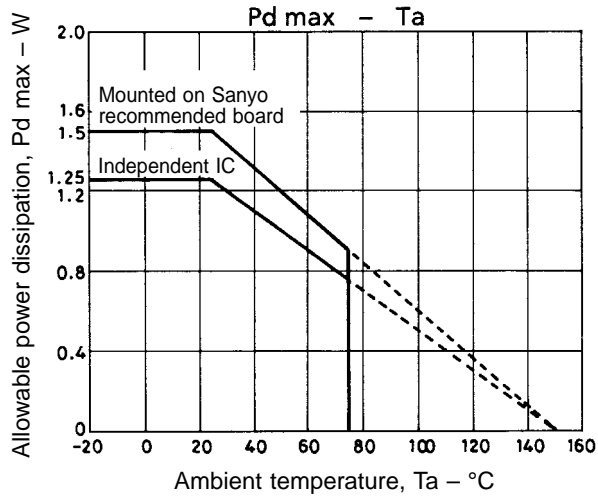
Equivalent Block Diagram



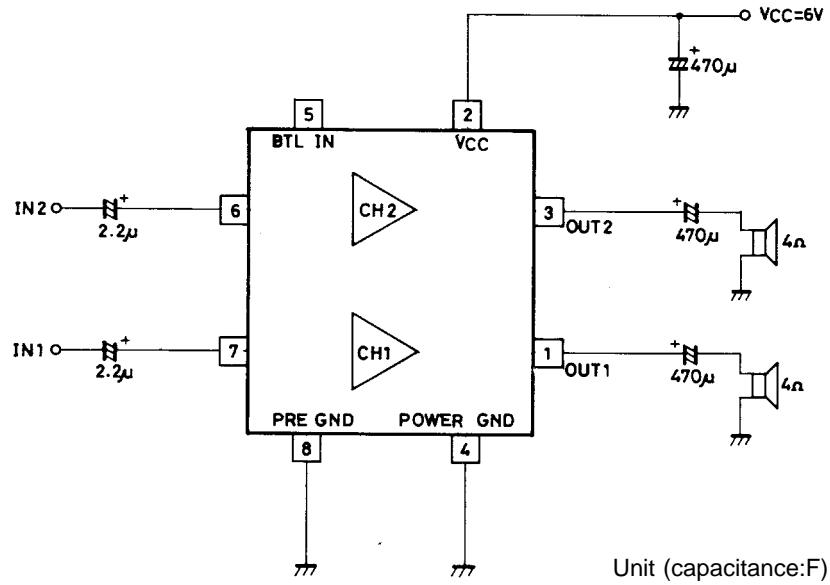
Pin Description

Number	Name	Description
1	OUT1	Channel 1 output
2	V_{CC}	Supply voltage
3	OUT2	Channel 2 output
4	POWER GND	Power amplifier ground
5	BTL IN	Bridge test load input
6	IN2	Channel 2 input
7	IN1	Channel 1 input
8	PRE GND	Preamplifier ground

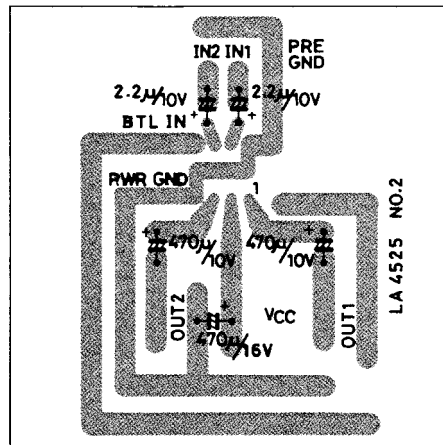
LA4525



Dual Operation



Sample Printed Circuit Pattern

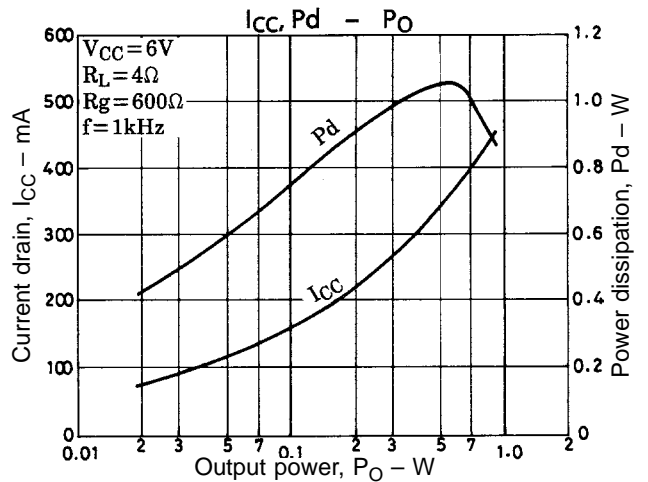
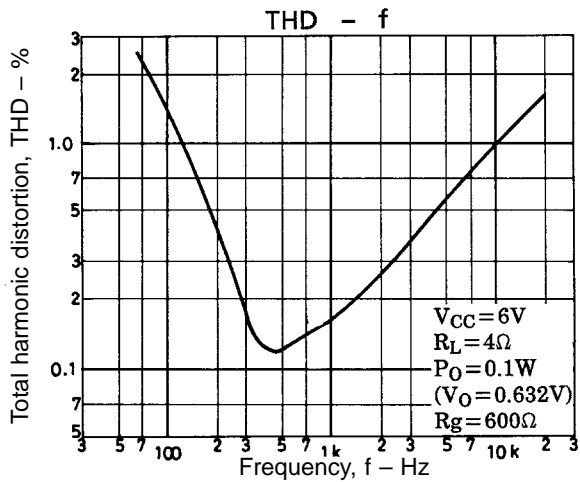
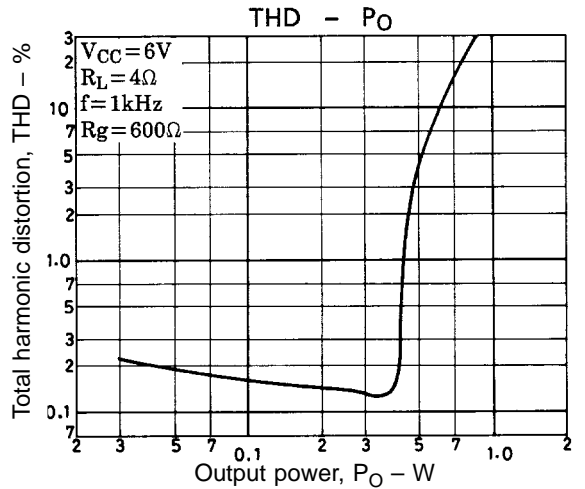
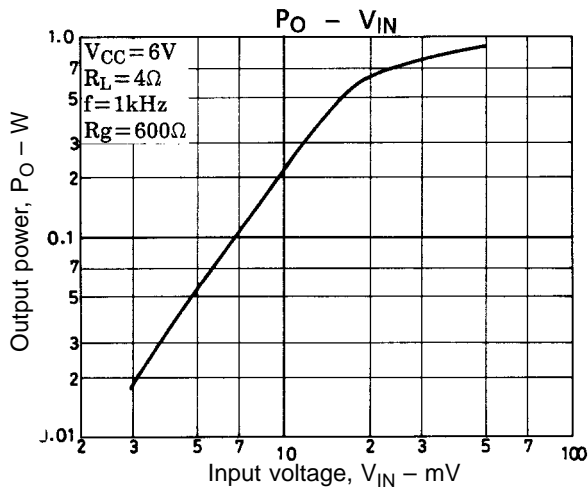
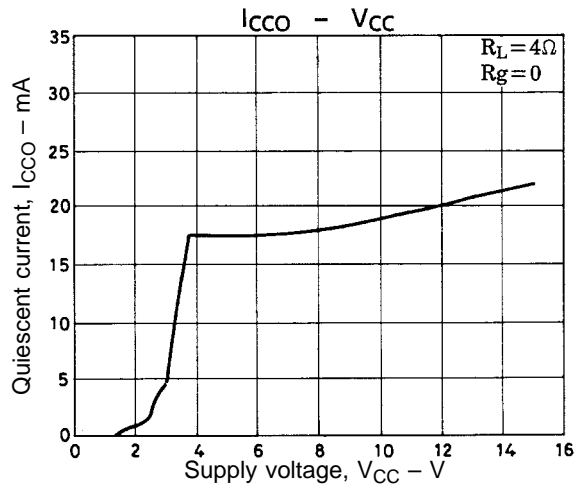
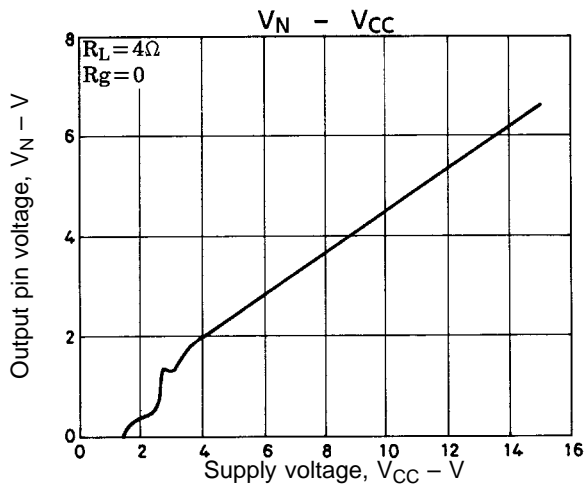


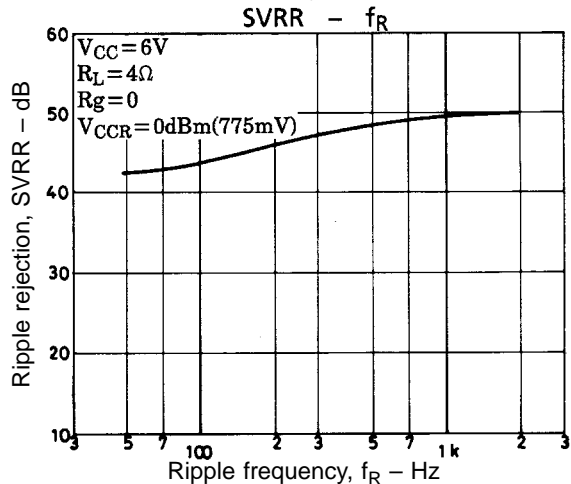
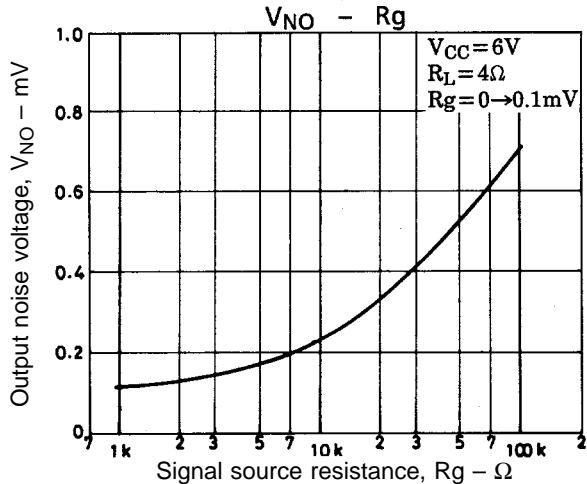
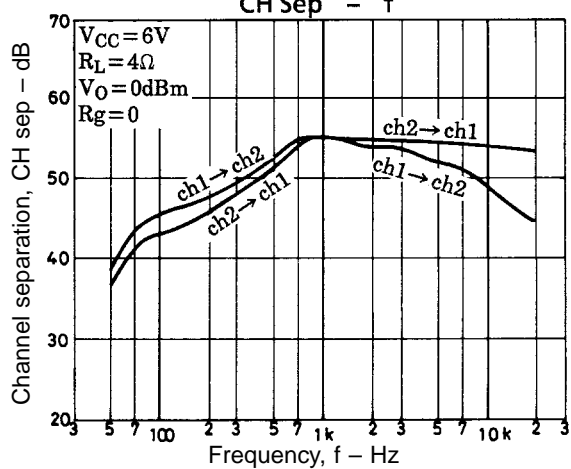
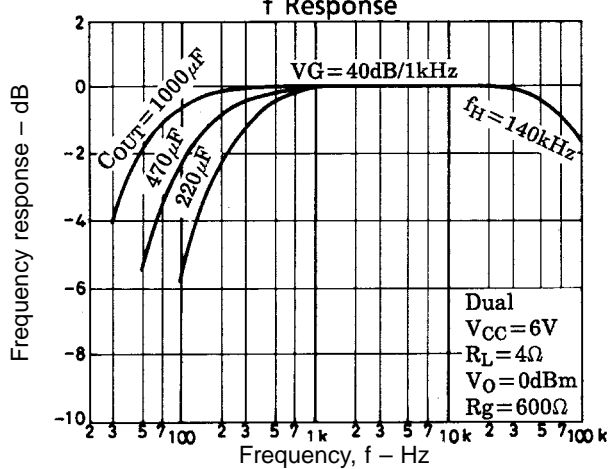
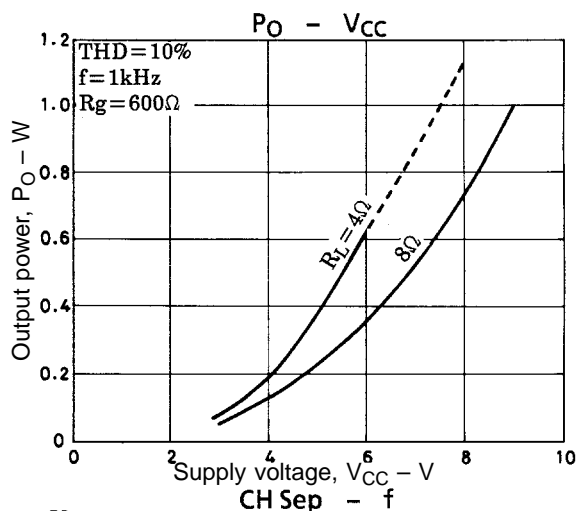
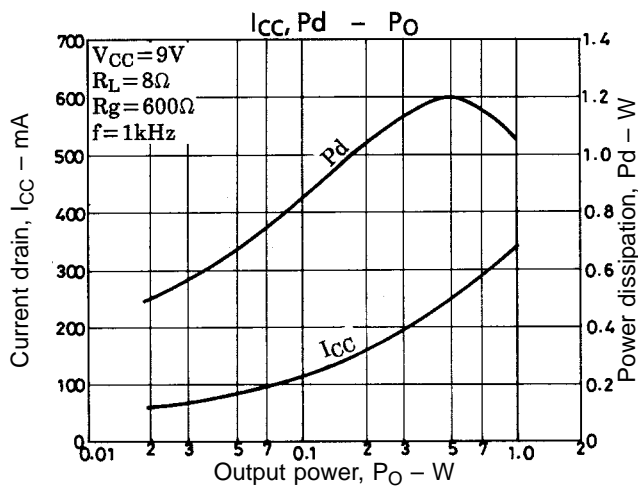
External Components Comparison

External components	Existing Sanyo ICs	LA4525
Output capacitors	○	○
Input capacitors	○	○
Bootstrap capacitors	○	×
Feedback capacitors	○	×
Filter capacitors	○	×
Oscillation damping mylars	○	×
Dual-mode operation total	11	4

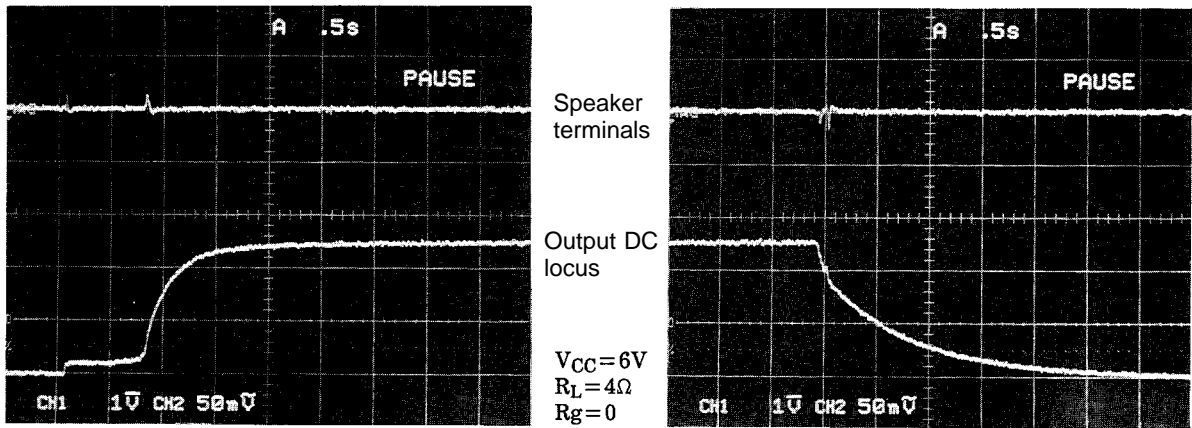
Pin Voltages

Pin number	Pin name	Pin voltage
1	OUT1	2.8 V
2	V _{CC}	6 V
3	OUT2	2.8 V
4	POWER GND	0 V
5	BTL IN	65 mV
6	IN2	1.4 V
7	IN1	1.4 V
8	PRE GND	0 V

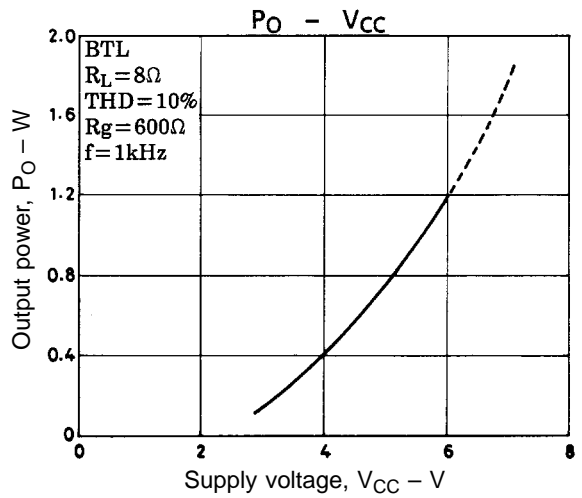
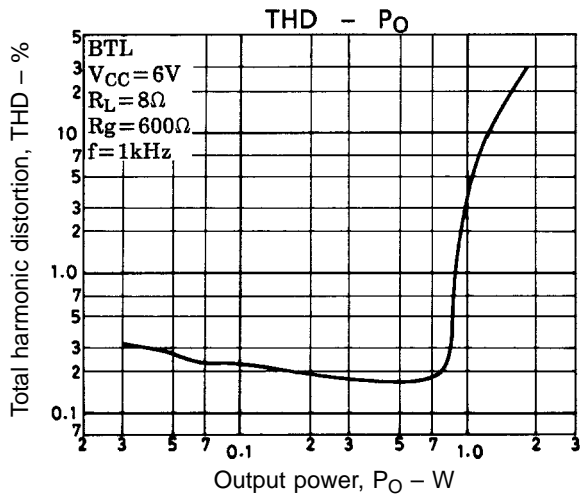
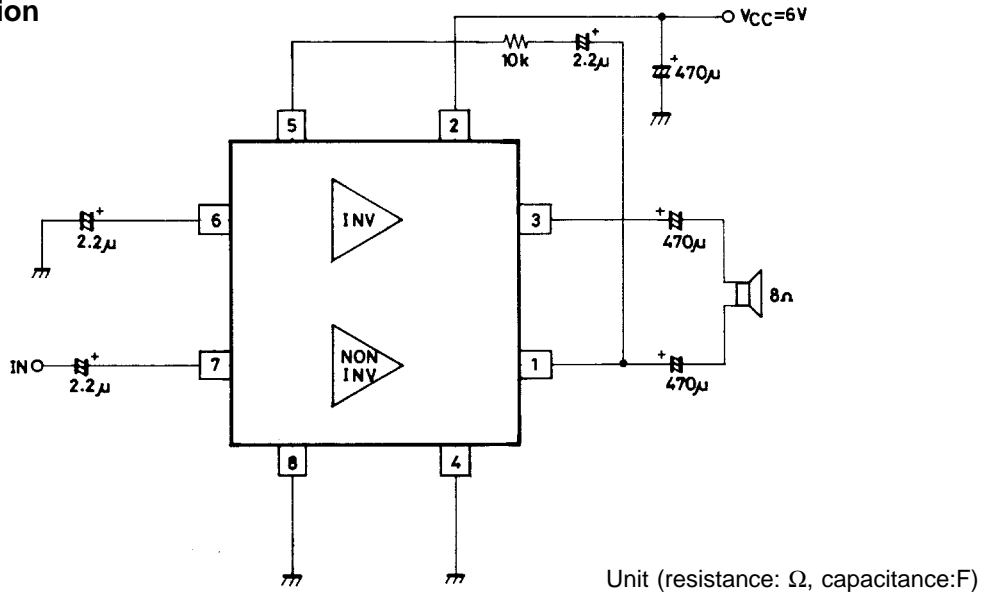


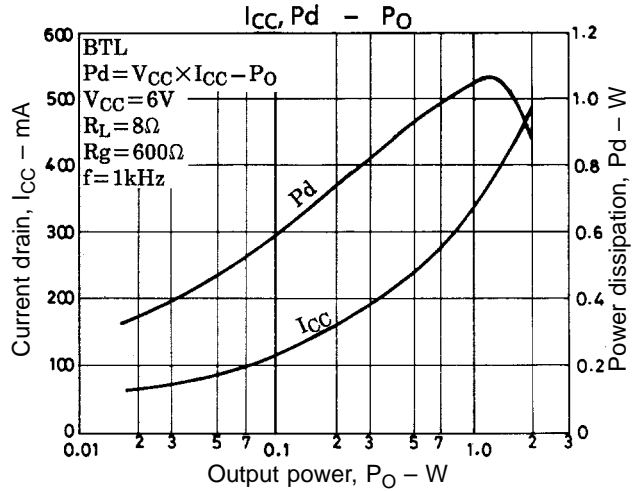
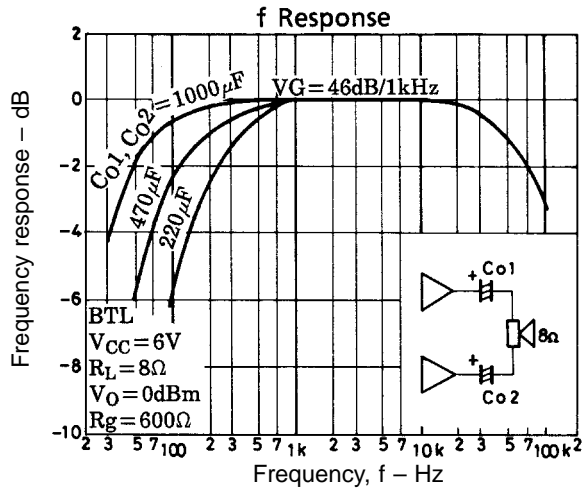


Rising and falling waveforms



BTL Operation





Handling Instructions and Precautions

Internal Circuits

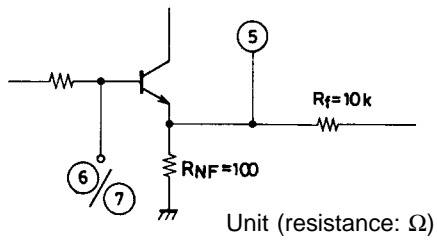


Figure 1. Input pins (6 and 7) and BTL input pin (5)

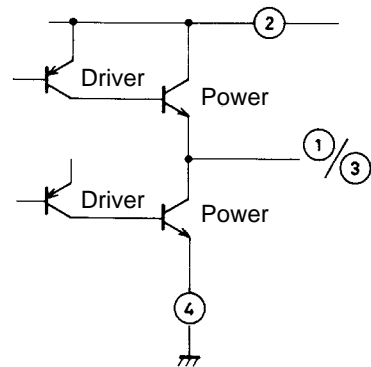
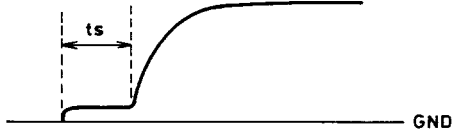


Figure 2. Output pins (1 and 3)

External Components

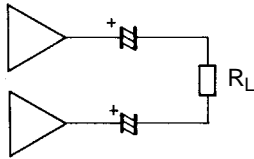
- The starting time, t_s , can be varied by changing the value of the input capacitor. A value of 2.2 μF is recommended. A smaller value will result in a lower starting time, and a larger value, a higher starting time.



- The output capacitor should have a value of 470 μF . A lower value will cause the low-frequency roll-off and low-power characteristics to deteriorate.
- A value of 470 μF is recommended for the power supply capacitor, although this can change according to the design setup conditions.
- In dual mode, BTL IN (the channel 2 negative feedback connection) should be left floating.

BTL mode

- The output capacitors should have a value of 470 μF . If these are omitted, a “popping” noise occurs. Also, any output offset will cause a current to flow which could damage the load under quiescent DC conditions.



- The output capacitors can be replaced with a single 220 μF bipolar capacitor. A larger value can cause switching noise when power is applied to the device.
- The voltage gain is fixed internally to 40 dB in dual mode and 46 dB in BTL mode. These values cannot be altered by connecting external components.
- Phase correction capacitance (600 pF/TOTAL) is incorporated in the internal stages. Oscillation damping components (R and C) are also incorporated in the output pin circuits.
- Power consumption
Note that the 8-pin DIP does not have a heat dissipating surface and that the power dissipation ratings are critical. The maximum power dissipation of the device is 1.25 W, and 1.5 W when the device is mounted on the recommended PCB. The actual power dissipated depends on the supply voltage and the load conditions. Ensure that the device is kept within its maximum rating. For AC supplies, transformer tapings may need to be adjusted to keep the device within maximum ratings.

$$P_{d \max} = \frac{V_{CC}^2}{\pi^2 R_L} + I_{CCO} \times V_{CC}$$

Note

For BTL mode operation, the value of R_L used in the calculation should be 1/2 the actual value.

- If the speaker plug jacks short to ground when connected, a protection resistor should be inserted in the output line.
- If the device is operated at or near its rated values, these values can be exceeded by small changes in operating conditions, leading to device breakdown. Accordingly, ensure that a safety margin is maintained so as not to exceed the maximum ratings.
- Check the PCB surface after soldering to ensure that no pins have been accidentally shorted. Any short between pins could cause poor operating characteristics or permanently damage the device when power is applied.
- If making the PCB, check the printed wiring to ensure that no feedback loops occur between input and output.

- Specifications of any and all SANYO products described or contained herein stipulate the performance, characteristics, and functions of the described products in the independent state, and are not guarantees of the performance, characteristics, and functions of the described products as mounted in the customer's products or equipment. To verify symptoms and states that cannot be evaluated in an independent device, the customer should always evaluate and test devices mounted in the customer's products or equipment.
- SANYO Electric Co., Ltd. strives to supply high-quality high-reliability products. However, any and all semiconductor products fail with some probability. It is possible that these probabilistic failures could give rise to accidents or events that could endanger human lives, that could give rise to smoke or fire, or that could cause damage to other property. When designing equipment, adopt safety measures so that these kinds of accidents or events cannot occur. Such measures include but are not limited to protective circuits and error prevention circuits for safe design, redundant design, and structural design.
- In the event that any or all SANYO products(including technical data, services) described or contained herein are controlled under any of applicable local export control laws and regulations, such products must not be exported without obtaining the export license from the authorities concerned in accordance with the above law.
- No part of this publication may be reproduced or transmitted in any form or by any means, electronic or mechanical, including photocopying and recording, or any information storage or retrieval system, or otherwise, without the prior written permission of SANYO Electric Co., Ltd.
- Any and all information described or contained herein are subject to change without notice due to product/technology improvement, etc. When designing equipment, refer to the "Delivery Specification" for the SANYO product that you intend to use.
- Information (including circuit diagrams and circuit parameters) herein is for example only ; it is not guaranteed for volume production. SANYO believes information herein is accurate and reliable, but no guarantees are made or implied regarding its use or any infringements of intellectual property rights or other rights of third parties.

This catalog provides information as of March, 1996. Specifications and information herein are subject to change without notice.

This datasheet has been download from:

www.datasheetcatalog.com

Datasheets for electronics components.