



LB1943N

Monolithic Digital IC
 VCR Loading Motor
 Variable Output Forward/Reverse
 Motor Driver

Overview

The LB1943N is a variable output forward/reverse motor driver that is optimal for driving motors such as the loading motor in VCR decks.

Functions

- Variable output forward/reverse motor driver
- Built-in thermal protection circuit
- Built-in reference voltage circuit (6.35V, typical)

Specifications

Absolute Maximum Ratings at $T_a = 25^\circ\text{C}$

Parameter	Symbol	Conditions	Ratings	Unit
Maximum supply voltage	$V_{CC\text{ max}}$		18	V
Maximum input voltage	$V_{IN\text{ max}}$	$V_{CC} > V_{IN}$	-0.3 to +6	V
Maximum output current	$I_{OUT\text{ max}}$		± 1.6	A
Allowable power dissipation	$P_d\text{ max}$		1.2	W
Operating temperature	T_{opr}		-25 to +75	$^\circ\text{C}$
Storage temperature	T_{stg}		-55 to +125	$^\circ\text{C}$

Allowable Operating Range at $T_a = 25^\circ\text{C}$

Parameter	Symbol	Conditions	Ratings	Unit
Supply voltage range	V_{CC1}		8.0 to 18	V
	V_{CC2}	$V_{CC1} \geq V_{CC2}$	5 to 18	V
Forward to reverse operation disallowed period	T_{off}		20 or more	μs

■ Any and all SANYO Semiconductor Co.,Ltd. products described or contained herein are, with regard to "standard application", intended for the use as general electronics equipment (home appliances, AV equipment, communication device, office equipment, industrial equipment etc.). The products mentioned herein shall not be intended for use for any "special application" (medical equipment whose purpose is to sustain life, aerospace instrument, nuclear control device, burning appliances, transportation machine, traffic signal system, safety equipment etc.) that shall require extremely high level of reliability and can directly threaten human lives in case of failure or malfunction of the product or may cause harm to human bodies, nor shall they grant any guarantee thereof. If you should intend to use our products for applications outside the standard applications of our customer who is considering such use and/or outside the scope of our intended standard applications, please consult with us prior to the intended use. If there is no consultation or inquiry before the intended use, our customer shall be solely responsible for the use.

■ Specifications of any and all SANYO Semiconductor Co.,Ltd. products described or contained herein stipulate the performance, characteristics, and functions of the described products in the independent state, and are not guarantees of the performance, characteristics, and functions of the described products as mounted in the customer's products or equipment. To verify symptoms and states that cannot be evaluated in an independent device, the customer should always evaluate and test devices mounted in the customer's products or equipment.

LB1945D

Electrical Characteristics at $T_a = 25^\circ\text{C}$, $V_{CC} = 12\text{V}$

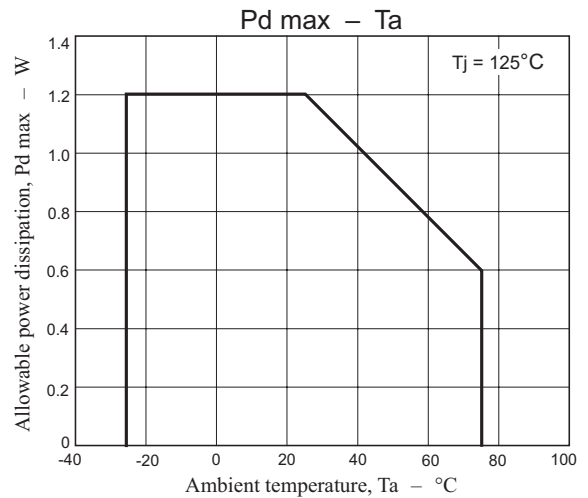
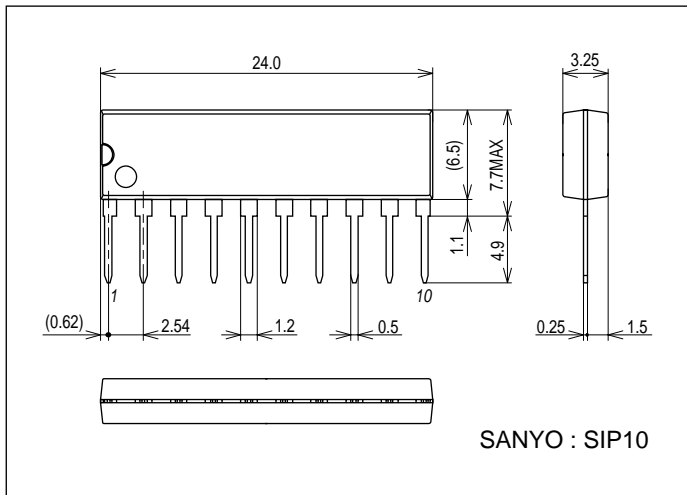
Parameter	Symbol	Conditions	Ratings			Unit
			min	typ	max	
Low-level input voltage	$V_{IN L}$		0		1.0	V
High-level input voltage	$V_{IN H}$		4.2		6.0	V
Mid-level input voltage	$V_{IN M}$		2.0		3.0	V
Input impedance	Z_{IN}			75		k Ω
Current consumption	I_{CC}			5.5	10	mA
Output voltage 1	V_{OUT1}	$R_L = 60\Omega$, $V_C = 2.5\text{V}$, $V_{IN1} = 2.5\text{V}$, $V_{IN2} = 0\text{V}$	4.4	4.95	5.4	V
Output voltage 2	V_{OUT2}	$R_L = 60\Omega$, $V_C = 2.5\text{V}$, $V_{IN1} = 2.5\text{V}$, $V_{IN2} = 5.0\text{V}$	4.4	4.95	5.4	V
Output leakage current	$I_{O L}$	$R_L = \infty$		0.01	1.0	mA
Saturation voltage (high side)	V_{sat11}	$V_{CC} = 12\text{V}$, $I_{OUT} = 300\text{mA}$		1.9	2.2	mV
	V_{sat12}	$V_{CC} = 12\text{V}$, $I_{OUT} = 500\text{mA}$		1.9	2.3	V
Saturation voltage (low side)	V_{sat21}	$V_{CC} = 12\text{V}$, $I_{OUT} = 300\text{mA}$		0.25	0.5	V
	V_{sat22}	$V_{CC} = 12\text{V}$, $I_{OUT} = 500\text{mA}$		0.4	0.65	V
Reference supply voltage	V_{ref}		6.0	6.35	6.8	V
Reference voltage load characteristics	$\Delta V_{ref}/\Delta I_{ref}$	$I_{ref} = 0\text{mA}$ to -2.0mA		0.05	0.1	V/mA
Control to output gain		V_{OUT}/V_C , $V_C = 2.5\text{V}$ $R_L = 60\Omega$	1.5	1.9	2.4	Time
Thermal shutdown temperature	T_{TSD}	Design target*	150	180		$^\circ\text{C}$

*: The design specification items are design guarantees and are not measured.

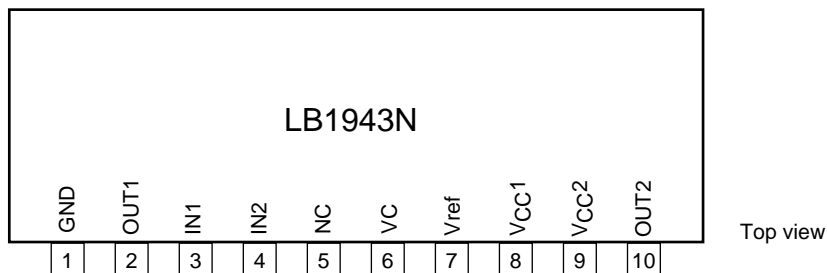
Package Dimensions

unit:mm (typ)

3043C

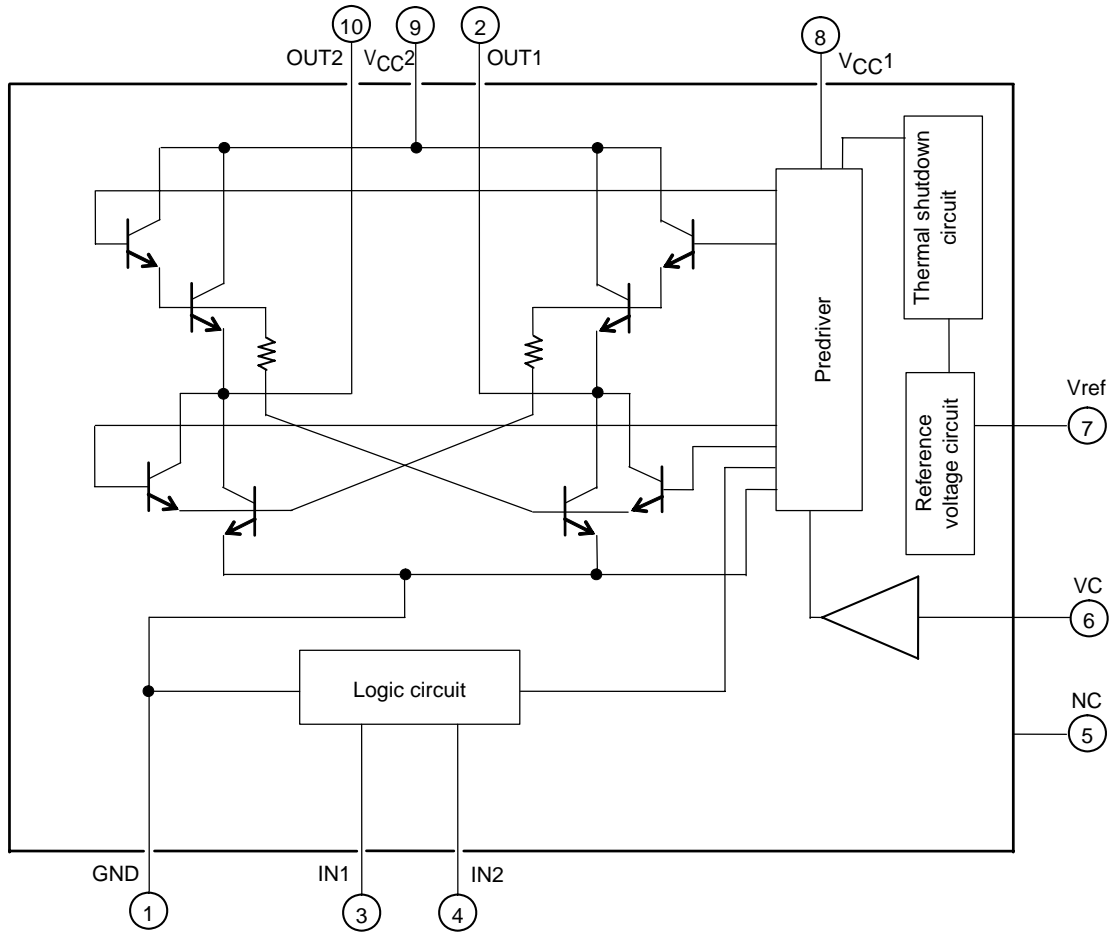


Pin Assignment



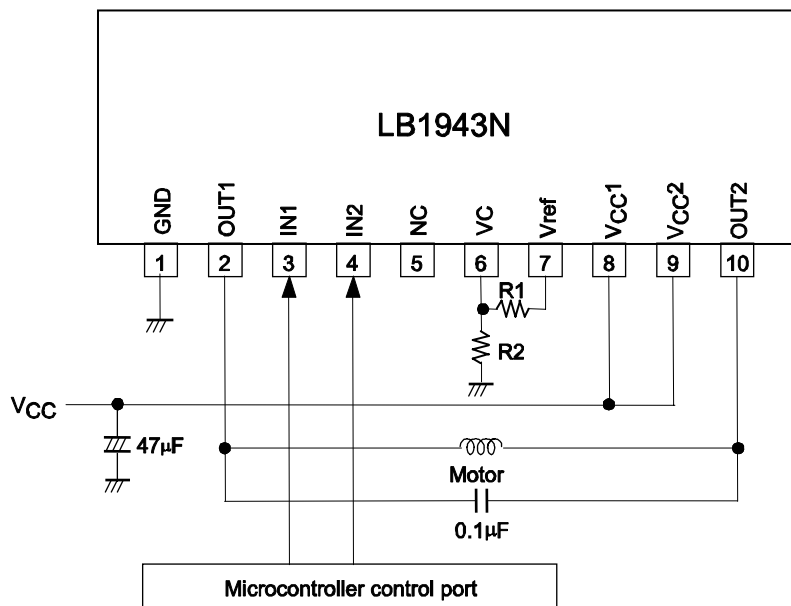
LB1945D

Block Diagram



Application Circuit Example

VCC = 12V



Note: Microcontroller output ports must be CMOS outputs and must be used in the high, low, or open state.

LB1945D

Truth Table

Input		Output voltage		Operation
IN1	IN2	OUT1	OUT2	
H	H	L	Full	Forward (reverse) mode
M	H	L	$VC \times 2$	Forward (reverse) mode
L	H	L	$VC \times 2$	Forward (reverse) mode
H	M	off	off	Break
M	M	off	off	Break
L	M	off	off	Break
H	L	Full	L	Reverse (forward) mode
M	L	$VC \times 2$	L	Reverse (forward) mode
L	L	$VC \times 2$	L	Reverse (forward) mode

H: high level, M: mid level, L: low level

Input levels V_H : 4.2V or higher
 V_M : 2.0V to 3.0V
 V_L : Under 1.0V

When IN1 or IN2 is open, that input will go to the 2.5V level. Operation is equivalent to that of the LB1641.

Pin Functions

Pin No.	Pin	Description	Equivalent Circuit
1	GND	<ul style="list-style-type: none"> Common ground for the power signal systems 	
3	IN1	<ul style="list-style-type: none"> Output voltage switching input When the input is open, V_M will become about 2.5V. 	
4	IN2	<ul style="list-style-type: none"> Forward/reverse/brake switching input When the input is open, V_M will become about 2.5V. 	

Continued on next page.

LB1945D

Continued from preceding page.

Pin No.	Pin	Description	Equivalent Circuit
6	VC	<ul style="list-style-type: none"> Output voltage setting 	
7	Vref	<ul style="list-style-type: none"> Reference voltage output $V_{ref} = 6.4V$ 	
8	VCC1	<ul style="list-style-type: none"> Signal system power supply 	
9	VCC2	<ul style="list-style-type: none"> Power system power supply 	
2 10	OUT1 OUT2	<ul style="list-style-type: none"> Motor coil connection 	

- SANYO Semiconductor Co.,Ltd. assumes no responsibility for equipment failures that result from using products at values that exceed, even momentarily, rated values (such as maximum ratings, operating condition ranges, or other parameters) listed in products specifications of any and all SANYO Semiconductor Co.,Ltd. products described or contained herein.
- SANYO Semiconductor Co.,Ltd. strives to supply high-quality high-reliability products, however, any and all semiconductor products fail or malfunction with some probability. It is possible that these probabilistic failures or malfunction could give rise to accidents or events that could endanger human lives, trouble that could give rise to smoke or fire, or accidents that could cause damage to other property. When designing equipment, adopt safety measures so that these kinds of accidents or events cannot occur. Such measures include but are not limited to protective circuits and error prevention circuits for safe design, redundant design, and structural design.
- In the event that any or all SANYO Semiconductor Co.,Ltd. products described or contained herein are controlled under any of applicable local export control laws and regulations, such products may require the export license from the authorities concerned in accordance with the above law.
- No part of this publication may be reproduced or transmitted in any form or by any means, electronic or mechanical, including photocopying and recording, or any information storage or retrieval system, or otherwise, without the prior written consent of SANYO Semiconductor Co.,Ltd.
- Any and all information described or contained herein are subject to change without notice due to product/technology improvement, etc. When designing equipment, refer to the "Delivery Specification" for the SANYO Semiconductor Co.,Ltd. product that you intend to use.
- Information (including circuit diagrams and circuit parameters) herein is for example only; it is not guaranteed for volume production.
- Upon using the technical information or products described herein, neither warranty nor license shall be granted with regard to intellectual property rights or any other rights of SANYO Semiconductor Co.,Ltd. or any third party. SANYO Semiconductor Co.,Ltd. shall not be liable for any claim or suits with regard to a third party's intellectual property rights which has resulted from the use of the technical information and products mentioned above.

This catalog provides information as of April, 2007. Specifications and information herein are subject to change without notice.