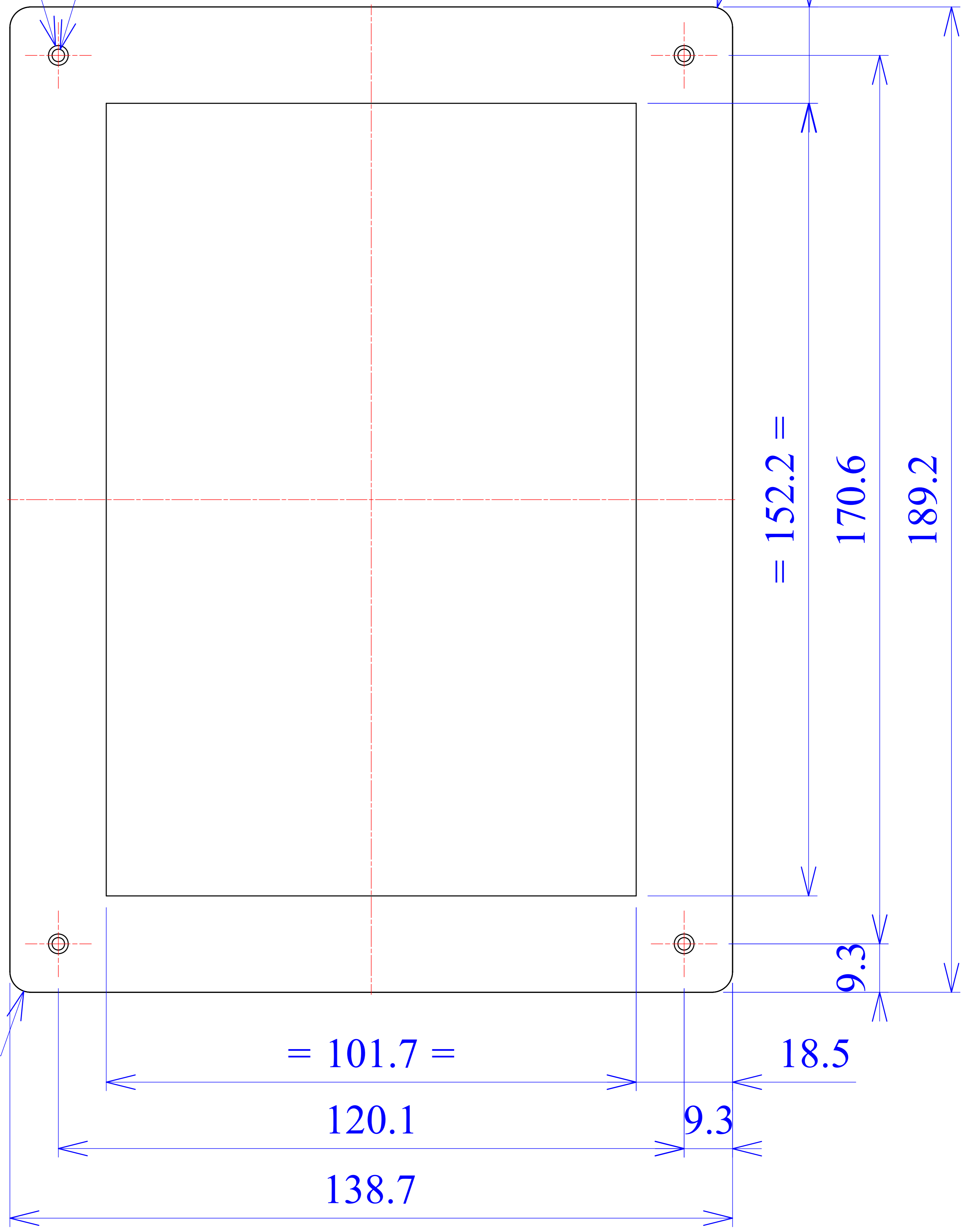


4x Ø 3.8

4x Ø 2.4

R 4

18.5



= 152.2 =

170.6

189.2

9.3

R 4

= 101.7 =

18.5

120.1

9.3

138.7

B - B

4x Ø 1.6

R 4

3°

4x Ø 3.8

4.7
0.5

3°

R 4

10 20.3

37.7

3°

R 2

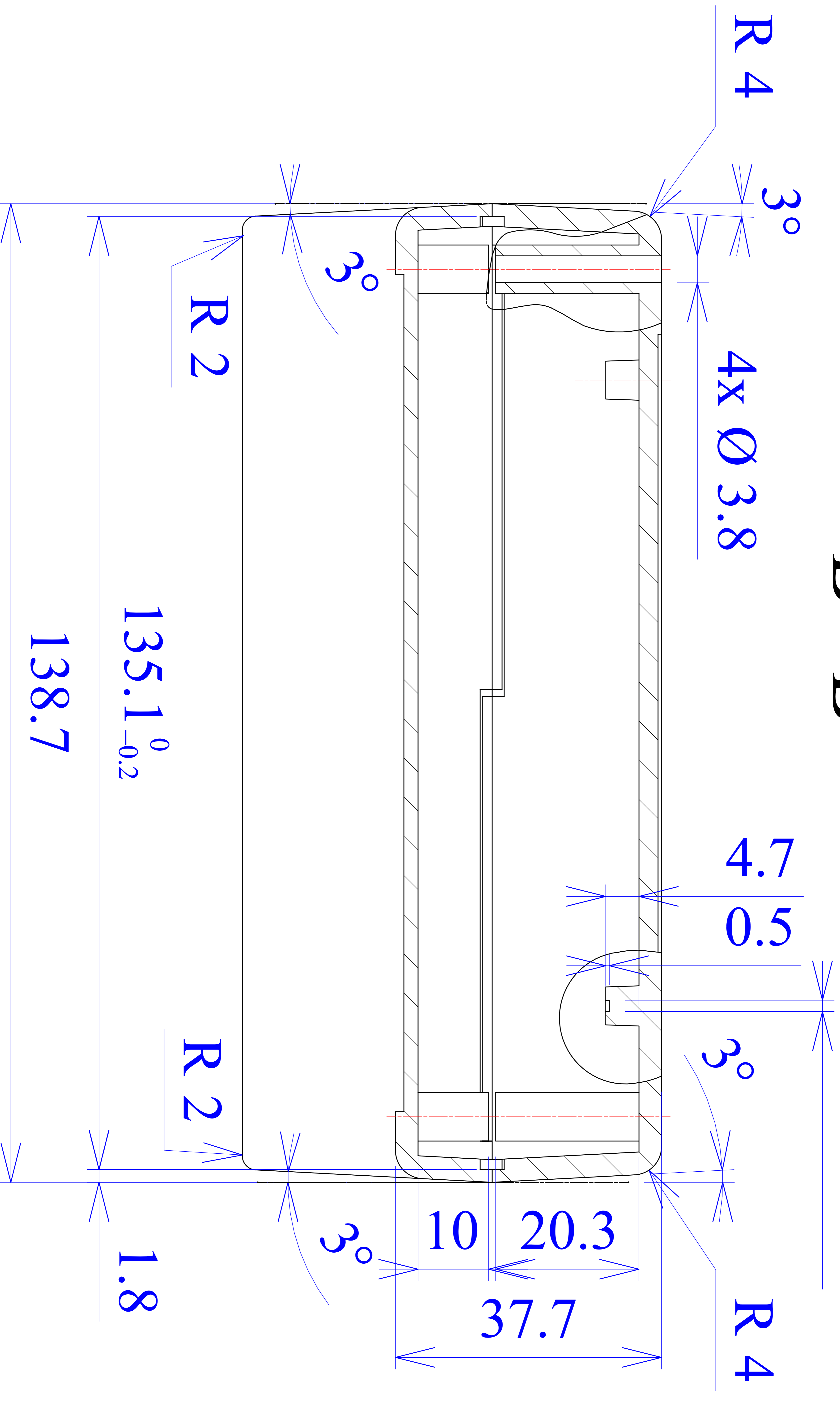
135.1⁰_{-0.2}

R 2

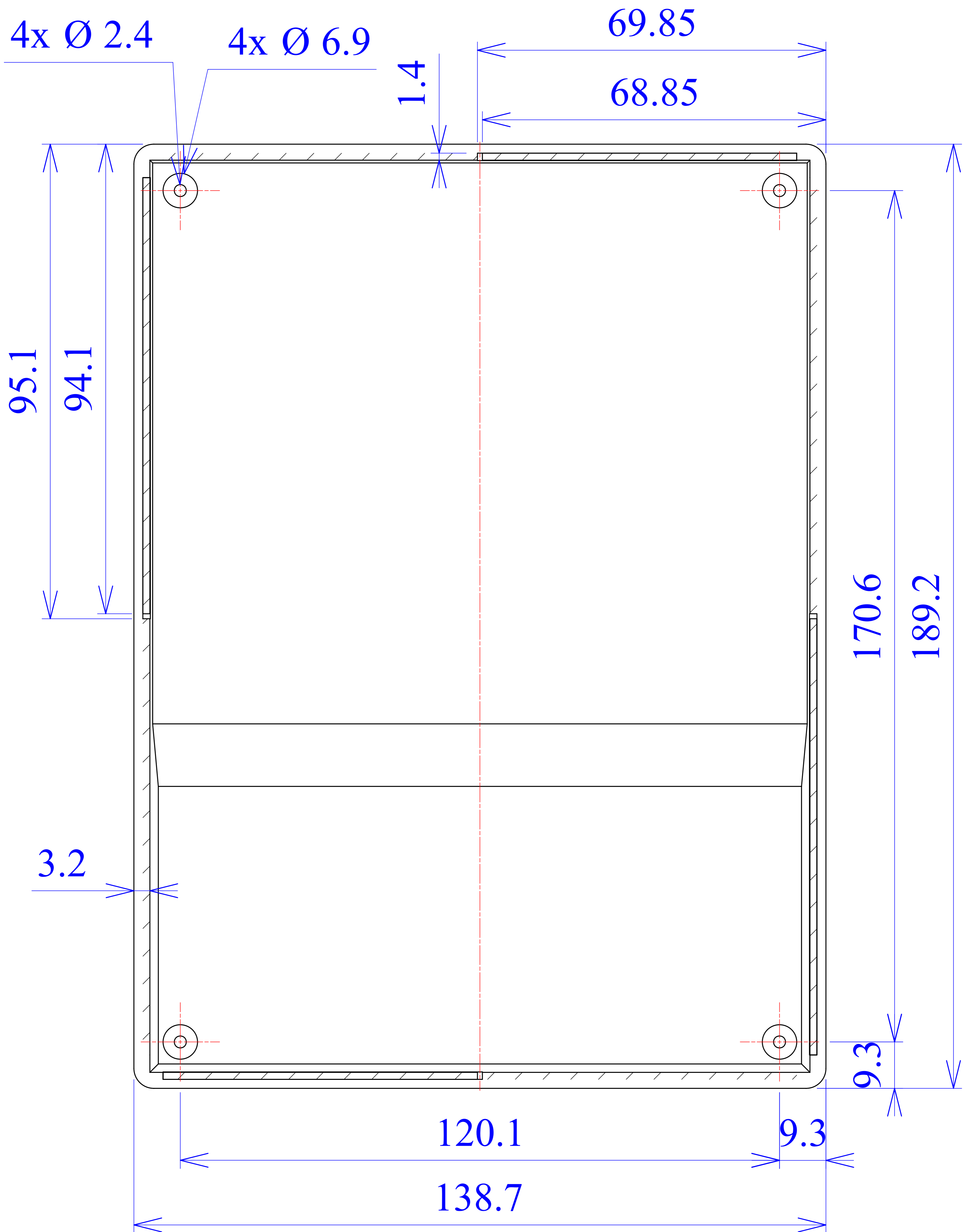
3°

1.8

138.7



C - C



D - D

4x Ø 6.9

4x Ø 3.8

8x Ø 5.7

