

2.4 GHz Wireless Audio&Video Modules -VMT150R10-

VMT150 TRANSMITTER

TECHNICAL SPECIFICATION

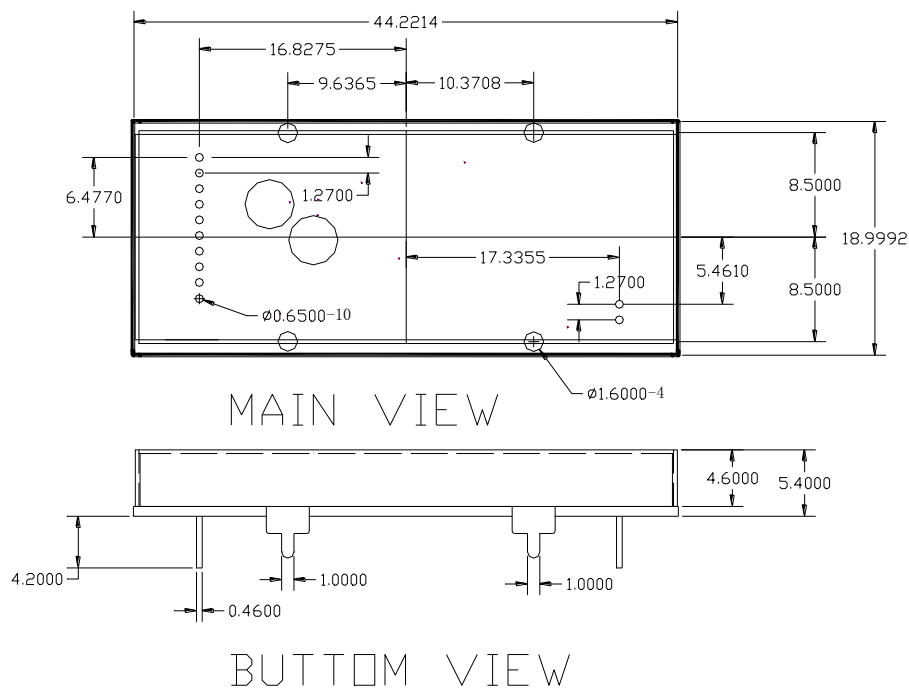
PARAMETER	SPECIFICATION	REMARK
Transmit Frequency	2.4GHz (2400MHz) ISM 2.4000 to 2.4835GHz No license required	
Transmit Power	+20dBm	+3/-0dBm
No. of simultaneous transmit frequency Channel 1 Channel 2 Channel 3 Channel 4	Up to 4 units in same area 2410MHz 2430MHz 2450MHz 2470MHz	
Channel Selection	Slide/DIP/TACT switch	
Video Modulation Audio Modulation	FM modulation FM modulation Left/right subcarriers	
Frequency Stability	±100KHz	Typical
Video Interface Video Input Level Video Input Impedance	1Vp-p (baseband video) 75 Ohm	Typical Typical
Number of Audio Channel	Stereo (left and right)	
Audio Interface Audio Input Level Audio Input Impedance	4Vp-p@1KHz >10K Ohm	Typical 1KHz
Power Consumption Supply Voltage Current Consumption	3.3V 200mA	+/-0.05V
Antenna Port	Half Pitch Pin Header	1.27mm Pitch
Baseband Interface	Half Pitch Pin Header	1.27mm Pitch
Operating Temperature	0 ~ +60°C (internal programming)	

* Antenna port must be loaded at 50 Ohm (VSWR<2) to avoid PA damage.

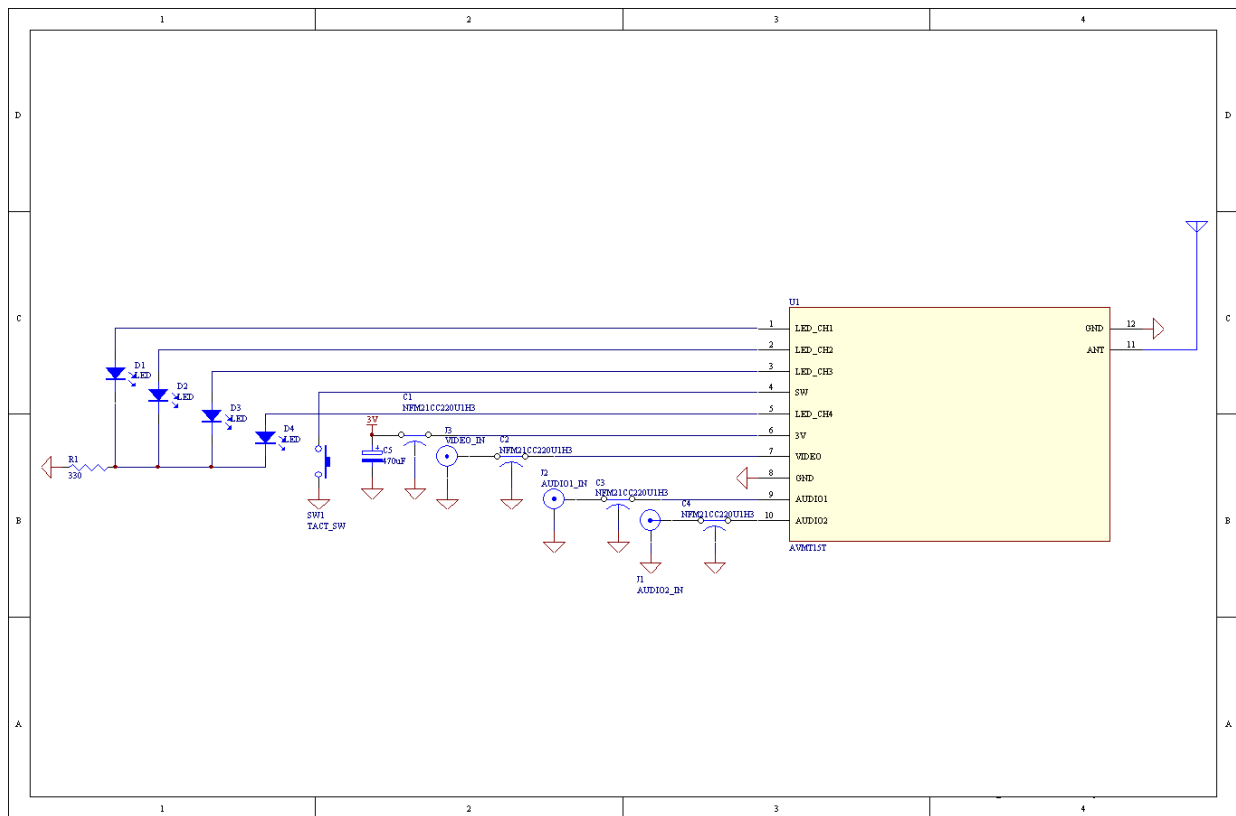
VMT150 PIN Assignment and definition

PIN NO.	PIN NAME	PIN TYPE	DESCRIPTION
1	LED_CH1	I/O	I/O port of LED control of channel 1
2	LED_CH2	I/O	I/O port of LED control of channel 2
3	LED_CH3	I/O	I/O port of LED control of channel 3
4	SW	I	Channel selected input
5	LED_CH4	I/O	I/O port of LED control of channel 4
6	3V3	I	RF driver 3V3 voltage supply
7	VIDEO	I	Video signal input
8	GND	I	General ground connection
9	AUDIO (R)	I	Audio signal input (Right)
10	AUDIO (L)	I	Audio signal input (Left)
11	ANT		RF output of the transmitter
12	GND		Antenna ground connection

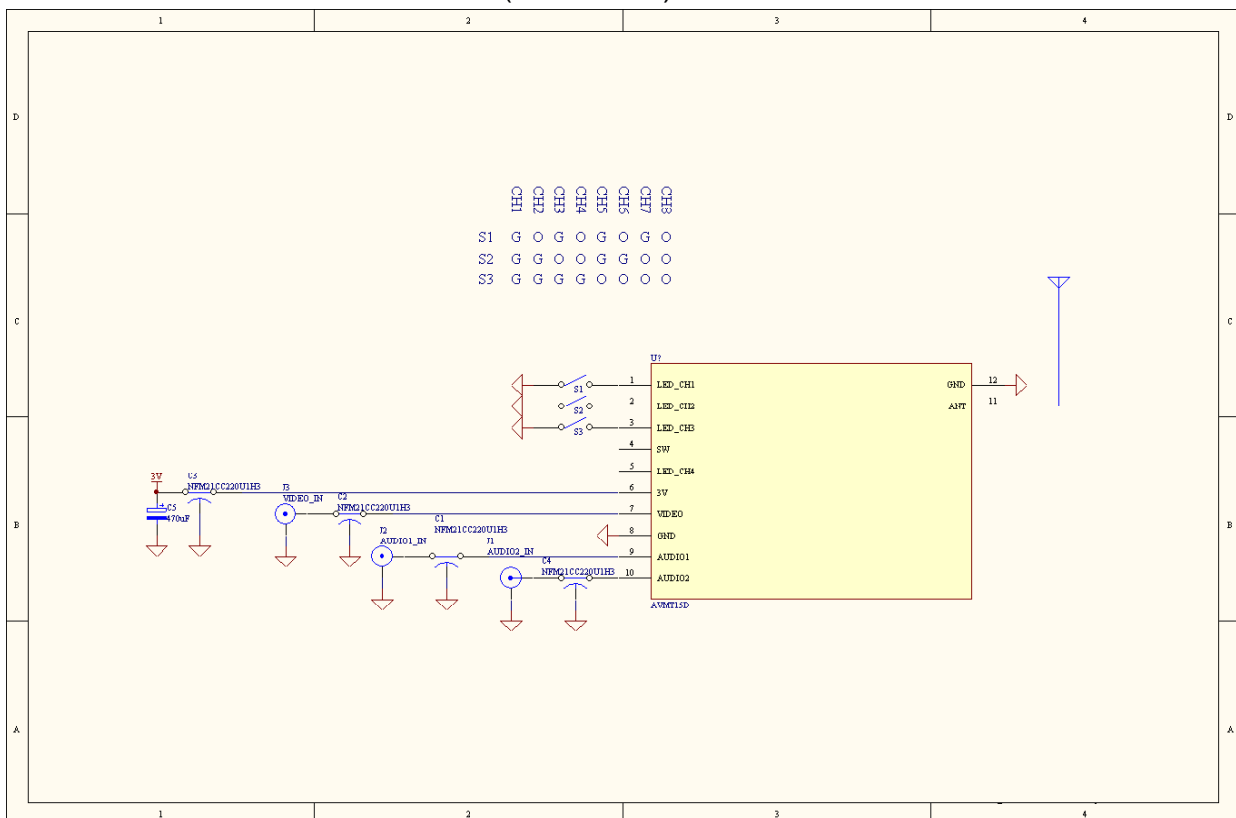
VMT150 FOOTPRINT & DIMENSIONS (TOP VIEW)



VMT150-T APPLICATION CIRCUIT (TACT switch)



VMT150-D APPLICATION CIRCUIT (DIP switch)



Yuanfann International Co., Ltd. 遠方國際有限公司

3F-5, No. 500, Chung Chung Rd., Chung Ho City, Taipei County, Taiwan, R.O.C

Tel: +886-2-82286133 Fax: +886-2-82281558 Website: www.yuanfann.com.tw

VMR10 RECEIVER

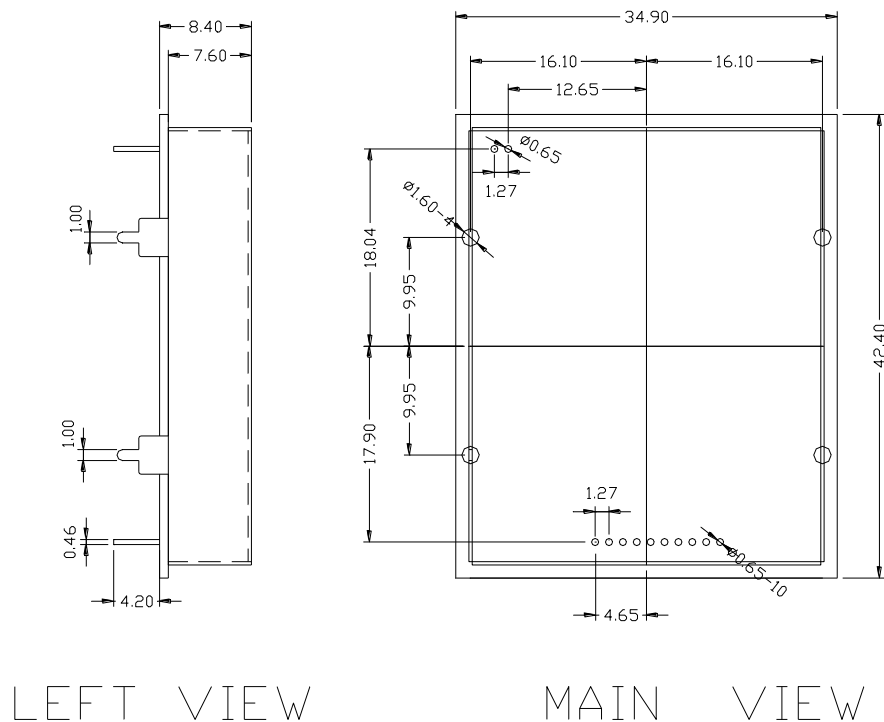
TECHNICAL SPECIFICATION

PARAMETER	SPECIFICATION	REMARK
Receive Sensitivity	-90dBm	+3/-0dBm
No. of simultaneous transmit frequency Channel 1 Channel 2 Channel 3 Channel 4	Up to 4 units in same area 2410MHz 2430MHz 2450MHz 2470MHz	
Channel Selection	Slide/DIP/TACT switch/IR remote control	
Video Modulation Audio Modulation	FM Modulation FM Modulation	
Number of Channel	4 channels	
Lo Stability	±100KHz	Typical
Video Output Level	1Vp-p@75 Ohm load	+/-0.15V
Video Output Impedance	75 Ohm	Typical
Video Differential Phase	10 °	Typical
Video Differential Gain	5%	Typical
Audio Output Level	4Vp-p@1KHz	Typical
Audio Output Impedance	1K Ohm	Typical
Audio SNR	45dB@1KHz 4Vp-p	+/-3dB
Power Consumption Supply Voltage Current Consumption	5V 150mA	+/- 0.1V Typical
Antenna Port	Half Pitch Pin Header	1.27mm Pitch
Baseband Interface	Half Pitch Pin Header	1.27mm Pitch
Operating Temperature	0 ~ +50°C ambient temperature	

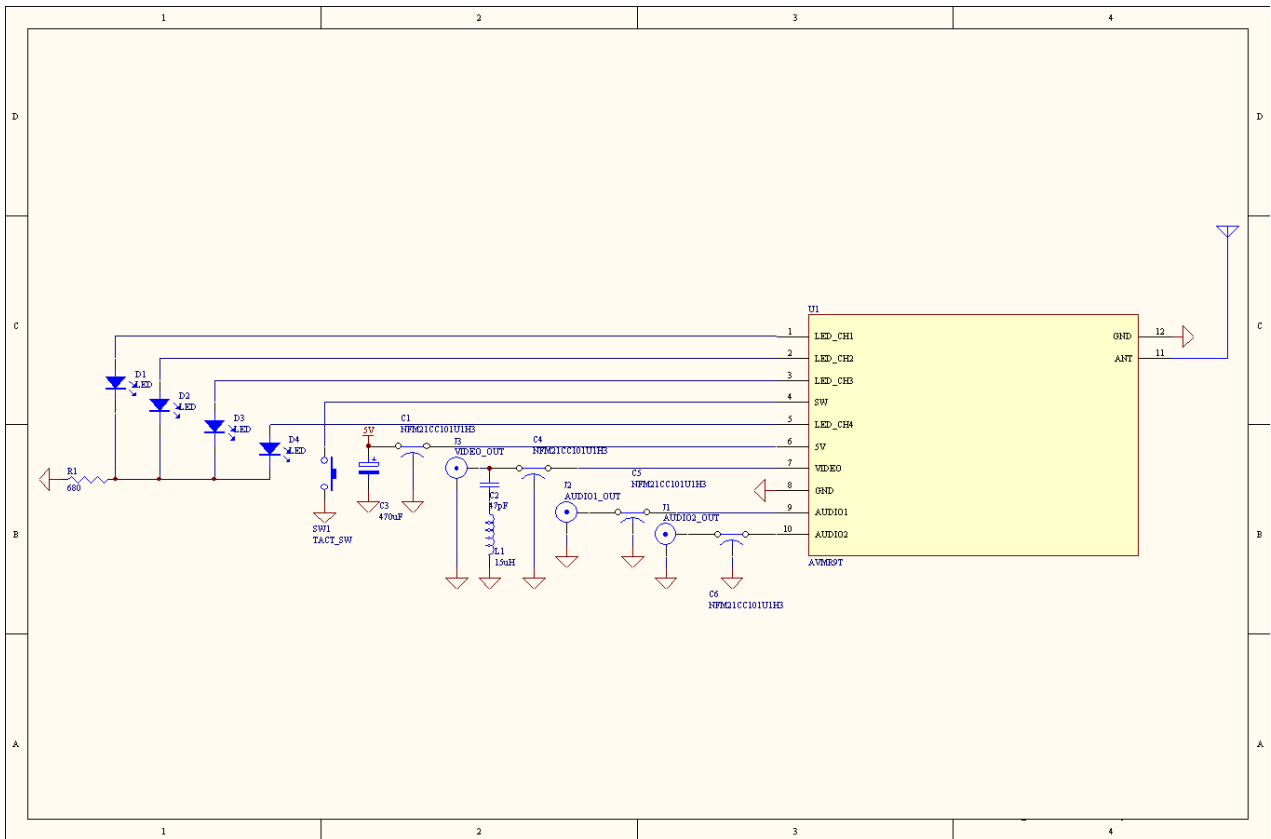
VMR10 PIN Assignment and definition

PIN NO.	PIN NAME	PIN TYPE	DESCRIPTION
1	LED_CH1		I/O port of LED control of channel 1
2	LED_CH2		I/O port of LED control of channel 2
3	LED_CH3		I/O port of LED control of channel 3
4	SW		Channel selected input
5	LED_CH4		I/O port of LED control of channel 4
6	5V		RF driver 5V5 voltage supply
7	VIDEO		Video signal output
8	GND		General ground connection
9	AUDIO (R)		Audio signal output (Right)
10	AUDIO (L)		Audio signal output (Left)
11	ANT		RF input of the transmitter
12	GND		Antenna ground connection

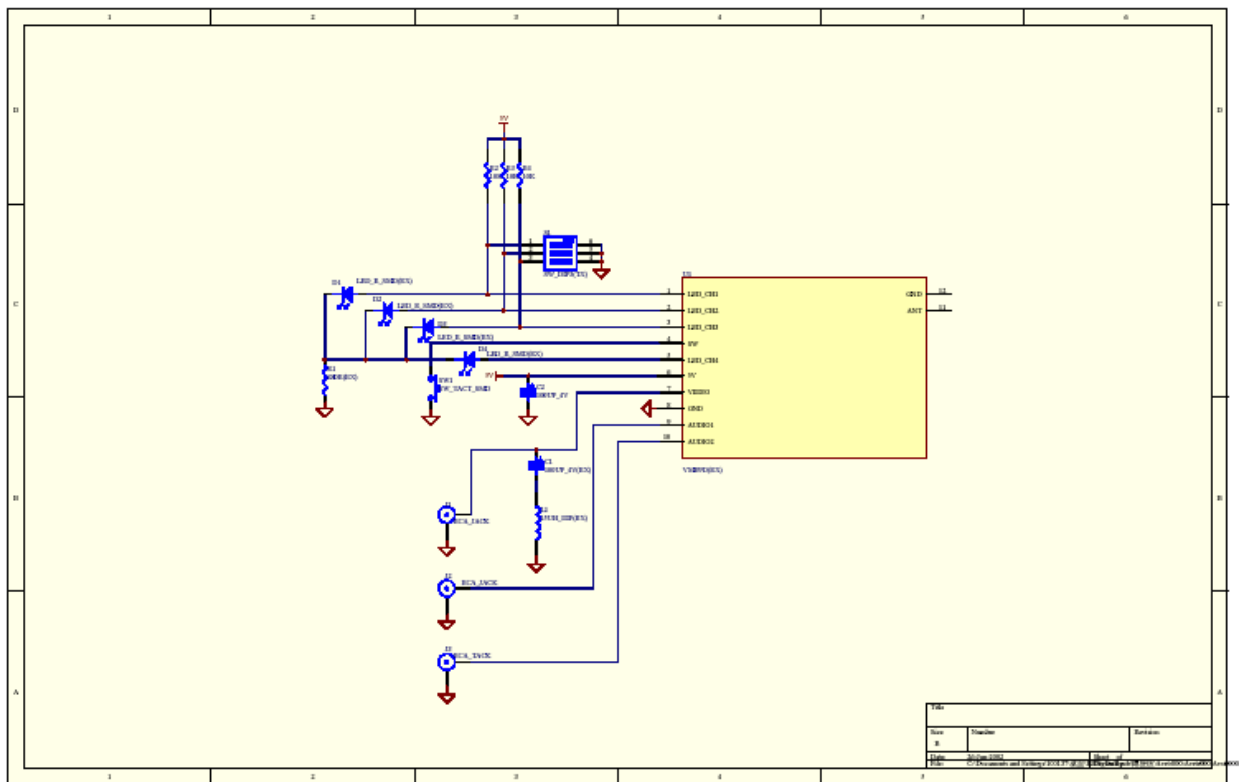
VMR10 FOOTPRINT&DIMENSIONS (TOP VIEW)



VMR10-T APPLICATION CIRCUIT (TACT)



VMR10-D APPLICATION CIRCUIT (DIP switch)



Yuanfann International Co., Ltd. 遠方國際有限公司

3F-5, No. 500, Chung Chung Rd., Chung Ho City, Taipei County, Taiwan, R.O.C

Tel: +886-2-82286133 Fax: +886-2-82281558 Website: www.yuanfann.com.tw

