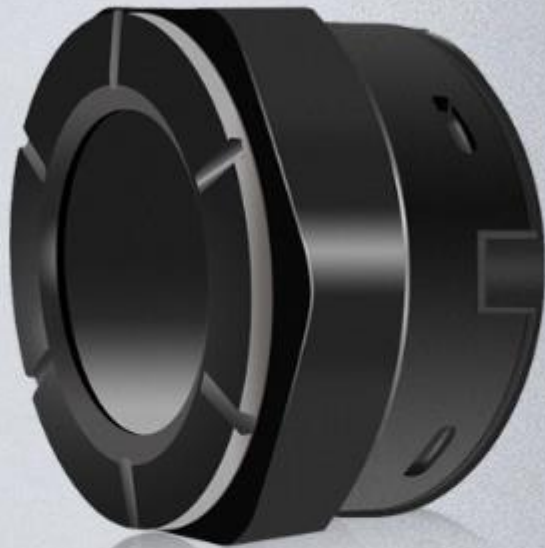


REAL PRESENTATION

360° omnidirectional display



AC DIGITAL AMMETER

INSTRUCTION MANUAL

MODEL:PZEM-024A-100A

A. Function

Measure AC current and display with LCD.

B. Display

I. Display interface



High End VA LCD
screen
+ white backlight

Figure 1 display diagram

II . Current Range

Working voltage: AC 30-500V

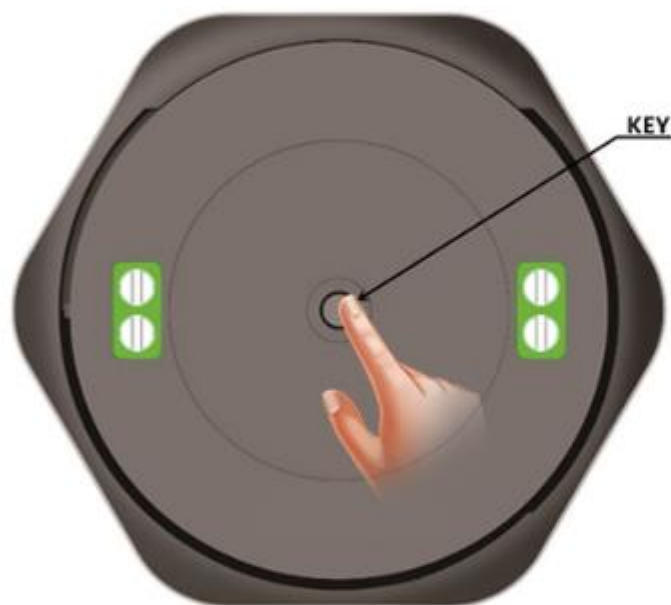
Measurement range: 0.1-100A(ext CT)

Display format: <10A display such as: 9.99A <100A display such as: 99.9A
≥100A display such as: 100A

Accuracy: ±1%

C. Other Function

1.Backlight control



The backlight can be turned on or off by short press the key

Figure 2 key diagram

2. Error adjustment

The product is calibrated 100% before delivery, the user can adjust error manually. **the method is as follows**

- Step 1** long press the key (about 3 seconds) until the screen digit flashes, and then release the key;
- Step 2** Digital flicker means entering error adjustment state, and the digit cycle flickers in sequence: low digit position - middle digit position - high digit position - decimal point. The flicker represents the current adjustable digit, short press the key to adjust the value (Digital 0-9 cycle, decimal point shift);
- Step 3** long press the key (about 3 seconds) after the adjustment, the screen display PASS and return to the normal

D. Wiring Diagram

Power Supply(AC 30 ~ 500V)

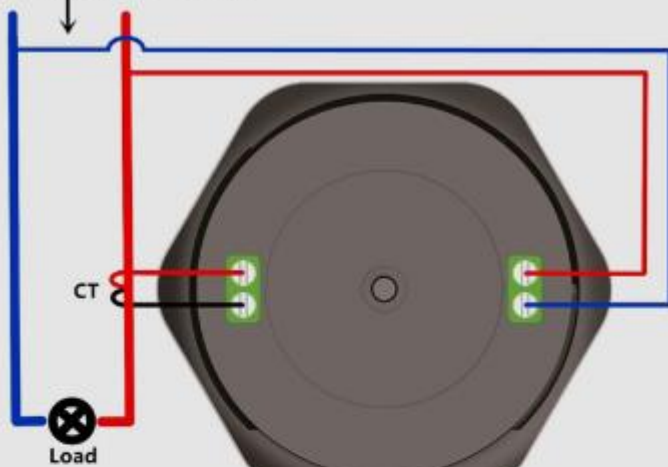


Figure 3 wiring diagram

E. Dimension Diagram





Figure 4 boundary dimension

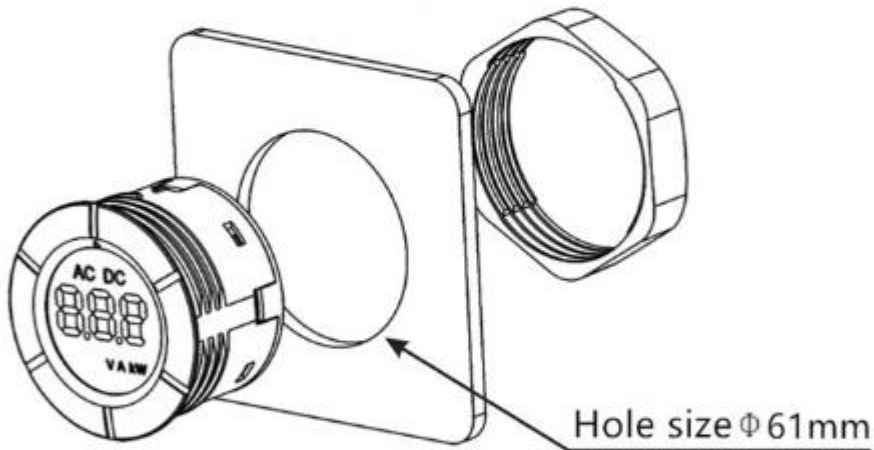


Figure 5 hole size

F. Attention

1. This product is suitable for indoor use, cannot be used outdoors.
2. This product is suitable for AC, not DC test.
3. This product is suitable for single phase power frequency AC power grid, cannot be used with other waveform.
4. The Working voltage and test current shall not exceed the calibration range.
5. Make sure the wiring is correct.