

Product Type: AC Digital Power Meter

Product Model: PZEM-020

Product Function:

1. Electrical parameter measurement function (voltage, current, active power, energy, frequency, power factor)
2. Overload alarm function (over power alarm threshold, backlight and power flashing to alarm).
3. Power alarm threshold preset function (can set power alarm threshold).
4. The energy can be reset use the key.
5. Store data when power off.
6. Large-screen LCD
7. Backlight function.

Measurement range:

1. Power: test range: 0~2300W, Starting measure power: 0.2W
2. Energy: test range: 0~999kWh
3. Voltage: test range: 80~260V
4. Current: test range: 0~10A, Starting measure current: 0.001A
5. Frequency: test range: 45~65Hz
6. Power factor: test range: 0~1PF

The backlight can be turned on or off by short pressing the button, and the backlight status will be automatically saved when power is off.

2. Reset the battery:

Step 1: Press and hold the button for 5 seconds until the energy figure flashes, then release the button;

Step 2: If you short press the button again, the power data will be cleared and exit the reset flashing state;

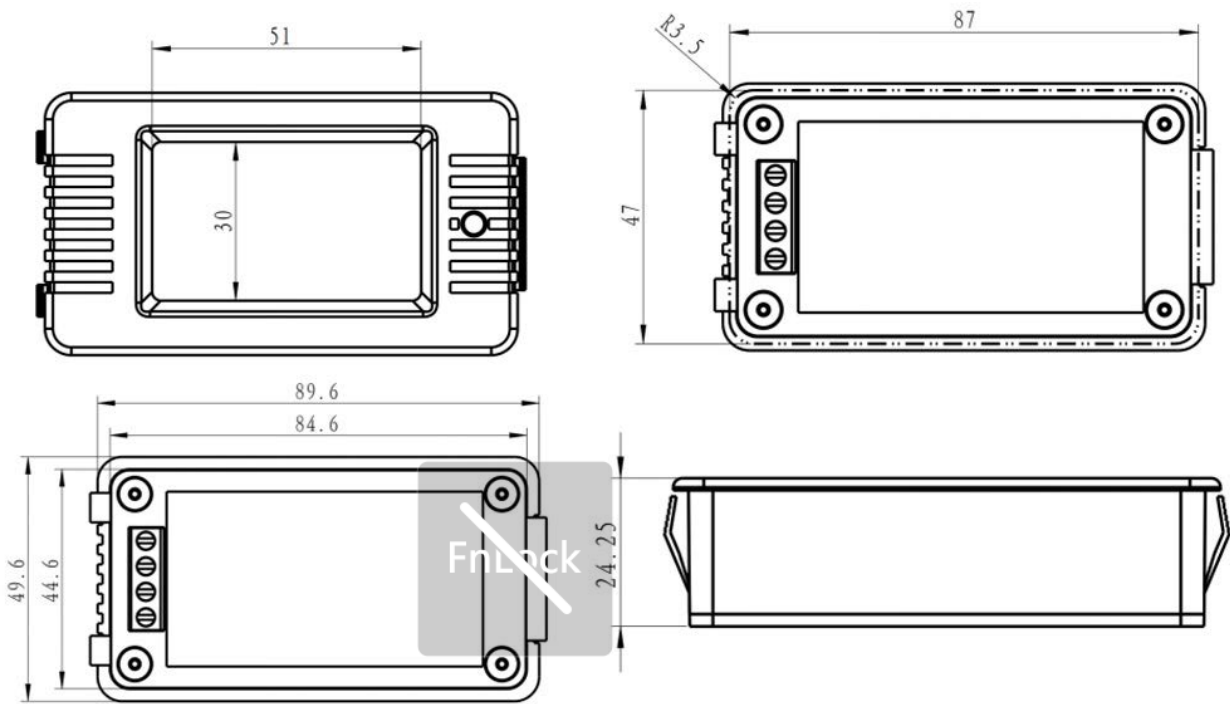
Step 3: If there is no button action within 5 seconds, it means that the power data is not cleared and exit the reset state.

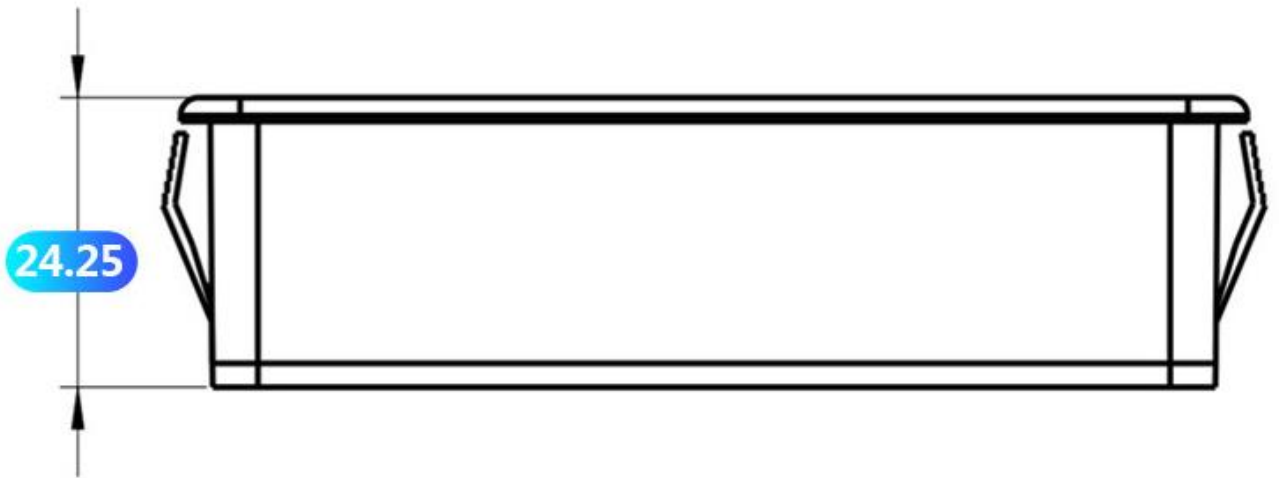
3. Power alarm value setting:

Step 1: Long press the button for 3 seconds until the screen displays "SET CLr" and then release the button to enter the power alarm value setting state;

Step 2: The power area displays the current power alarm value and the lowest digit starts to flash. At this time, you can press the button to +1 the digit. When there is no button operation for more than 3 seconds, the digit will be switched automatically. The setting method is the same as above;

Step 3: After the setting is completed, press and hold the button for more than 5 seconds to automatically save and exit, the active power threshold setting range is 0.0~22kW





Hole Size(mm)

