

ME2S Series

2W, Unregulated Single or Dual Output, 1.5KV Isolation, SIP7 Package DC/DC Converters

Features

- ▶ Rated power: 2W Max
- ▶ Input voltage range $\pm 10\%$
- ▶ Unregulated output
- ▶ High efficiency, up to 90%
- ▶ Small no load input current
- ▶ Isolation voltage 1.5KVDC
- ▶ Operating temperature range: $-40 \sim +105^{\circ}\text{C}$ ambient
- ▶ RoHS compliant
- ▶ Compact SIP7 package
- ▶ Continuous short circuit protection
- ▶ Designed to meet UL/EN/IEC 62368-1
- ▶ 3 year warranty



Overview

The ME2S series are unregulated SIP7 package DC/DC converters with single or dual outputs, and 1.5KVDC isolation. These converters feature high efficiency, low ripple and noise, continuous short circuit protection, and wide operating temperature range. They are widely used in distributed power system in industrial applications where isolation and voltage converting is needed.

Model Numbers

Model Number	Input Voltage [VDC] $\pm 10\%$	Output Voltage [VDC]	Output Current [mA]		Efficiency [%] Typ.	Capacitive Load [μF] Max.
			Max.	Min.		
ME2S-0303	3.3	3.3	400	40	77	2400
ME2S-0305	3.3	5	400	40	79	2400
ME2S-0309	3.3	9	222	22	80	1000
ME2S-0312	3.3	12	167	17	81	820
ME2S-0503	5	3.3	400	40	83	2400
ME2S-0505	5	5	400	40	85	2400
ME2S-0509	5	9	222	22	85	1000
ME2S-0512	5	12	167	17	86	820
ME2S-0515	5	15	133	13	87	680
ME2S-0524	5	24	83	8	88	560
ME2S-0503D	5	± 3.3	± 303	± 30	83	1000
ME2S-0505D	5	± 5	± 200	± 20	85	1000
ME2S-0509D	5	± 9	± 111	± 11	85	560
ME2S-0512D	5	± 12	± 83	± 8	86	560
ME2S-0515D	5	± 15	± 67	± 7	87	220
ME2S-0524D	5	± 24	± 42	± 4	87	100
ME2S-1203	12	3.3	400	40	84	2400
ME2S-1205	12	5	400	40	85	2400
ME2S-1209	12	9	222	22	86	1000

ME2S Series

2W, Unregulated Single or Dual Output, 1.5KV Isolation, SIP7 Package DC/DC Converters

Model Numbers [continued]

Model Number	Input Voltage [VDC] $\pm 10\%$	Output Voltage [VDC]	Output Current [mA]		Efficiency [%] Typ.	Capacitive Load [μ F] Max.
			Max.	Min.		
ME2S-1212	12	12	167	17	87	820
ME2S-1215	12	15	133	13	88	680
ME2S-1224	12	24	83	8	89	560
ME2S-1203D	12	± 3.3	± 303	± 30	84	1000
ME2S-1205D	12	± 5	± 200	± 20	85	1000
ME2S-1209D	12	± 9	± 111	± 11	86	560
ME2S-1212D	12	± 12	± 83	± 8	87	560
ME2S-1215D	12	± 15	± 67	± 7	88	220
ME2S-1224D	12	± 24	± 42	± 4	86	100
ME2S-1503	15	3.3	400	40	84	2400
ME2S-1505	15	5	400	40	85	2400
ME2S-1509	15	9	222	22	86	1000
ME2S-1512	15	12	167	17	87	820
ME2S-1515	15	15	133	13	88	680
ME2S-1524	15	24	83	8	89	560
ME2S-1505D	15	± 5	± 200	± 20	85	1000
ME2S-1509D	15	± 9	± 111	± 11	86	560
ME2S-1512D	15	± 12	± 83	± 8	87	560
ME2S-1515D	15	± 15	± 67	± 7	88	220
ME2S-2403	24	3.3	400	40	84	2400
ME2S-2405	24	5	400	40	86	2400
ME2S-2409	24	9	222	22	87	1000
ME2S-2412	24	12	167	17	88	820
ME2S-2415	24	15	133	13	89	680
ME2S-2424	24	24	83	8	90	560
ME2S-2403D	24	± 3.3	± 303	± 30	84	1000
ME2S-2405D	24	± 5	± 200	± 20	86	1000
ME2S-2409D	24	± 9	± 111	± 11	87	560
ME2S-2412D	24	± 12	± 83	± 8	88	560
ME2S-2415D	24	± 15	± 67	± 7	89	220
ME2S-2424D	24	± 24	± 42	± 4	86	100

* Only typical models are listed. Other models may be available upon request.

* For dual output models, max capacitive load stipulated in the above list is for each output.

* See MEK2S series for 3KVDC isolation models, and MEG2S series for 6KVDC isolation models.

Electrical Specifications

Unless otherwise indicated, specifications are measured at $T_A=25^{\circ}\text{C}$, nominal input voltage, full load after warm up.

Parameters	Conditions	Min.	Typ.	Max.	Unit	Note
Input current Full load	$V_{IN}=5\text{V}$		506			
	$V_{IN}=9\text{V}$		268			
	$V_{IN}=12\text{V}$	-	208	-	mA	
	$V_{IN}=15\text{V}$		167			
	$V_{IN}=24\text{V}$		104			
Input current No load		-	4	15	mA	
Reflected Ripple Current		-	15	-	mA	
Surge voltage 1 second max	$V_{IN}=5\text{V}$	-0.7		9		
	$V_{IN}=9\text{V}$	-0.7		12		
	$V_{IN}=12\text{V}$	-0.7	-	18	VDC	
	$V_{IN}=15\text{V}$	-0.7		21		
	$V_{IN}=24\text{V}$	-0.7		30		
Output voltage accuracy	All models	Refer to graphic in "Characteristic Curves" section				
Line regulation For V_{IN} change of $\pm 1\%$	$V_{OUT}=3.3\text{V}$	-	± 1.5	-	%	
	All others		± 1.2			
Load regulation $I_{OUT}=10\%$ to 100% of $I_{OUT, \text{rated}}$,	$V_{OUT}=3.3\text{V}$		14			
	$V_{OUT}=5\text{V}$		10			
	$V_{OUT}=9\text{V}$	-	9	-	%	
	$V_{OUT}=12\text{V}$		8			
	$V_{OUT}=15\text{V}$		7			
	$V_{OUT}=24\text{V}$		6			
Temperature coefficient	Full load	-	-	± 0.03	$\%/^{\circ}\text{C}$	
Output ripple and noise	20MHz bandwidth	-	60	120	mVp-p	
Output short circuit protection		Continuous, automatic recovery				
Input filter		Capacitor				
Hot plug		None				

* Operating with less than 10% of rated load will not cause permanent damage to the converters, but the performances data may not fall into the specifications, and reliable operating is not assured.

* Dual output models need to operate with balanced load. The load difference between two outputs over 10% may cause unstable operating of the converter.

2W, Unregulated Single or Dual Output, 1.5KV Isolation, SIP7 Package DC/DC Converters

General Specifications

Parameters	Conditions	Min.	Typ.	Max.	Unit	Note
Isolation voltage Tested for 1 minute, leakage current less than 1mA	Input to Output	1500	-	-	VDC	
Isolation resistance Tested at 500VDC		1000	-	-	M ohm	
Isolation capacitance Tested between input and output, test condition 100KHz, 0.1V		-	20	-	pF	
Operating temperature	See "Derating Curve"	-40	-	+105	°C	
Storage temperature		-55	-	+125	°C	
Temperature rise at case	Full load	-	25	-	°C	
Storage humidity	Non-condensing	-	-	95	%RH	
Switching frequency	Full load	-	220	-	KHz	
Pin soldering resistance 1.5mm away from case for 10 sec		-	-	300	°C	
Case material		Black plastic UL94-V0				
Cooling method		Free air convection				
Vibration		10-150Hz, 5G, 0.75mm along X, Y and Z				
Design based on standards		UL/EN/IEC 62368-1				
Safety certifications		EN/IEC 62368-1				
EMC	Emissions Immunity	CISPR32, EN55032 Class B* IEC/EN 61000-4-2				
MTBF	MIL-HDBK-217F	>3,500,000 Hours, T _A =25°C				
Size		19.65 x 7.05 x 10.16 mm				
Weight		2.4g Typ.				

*External circuit is required in order to meet Class B, refer to Figure 2 in Recommended External Circuit

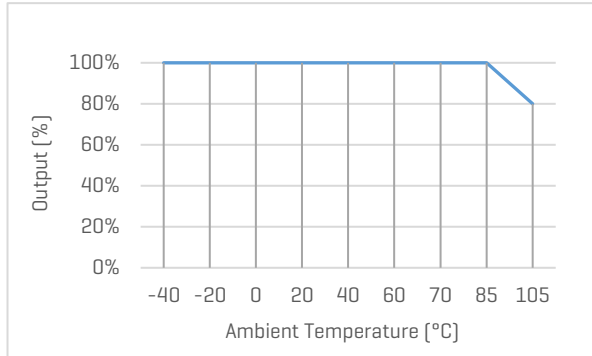
ME2S Series

2W, Unregulated Single or Dual Output, 1.5KV Isolation, SIP7 Package DC/DC Converters

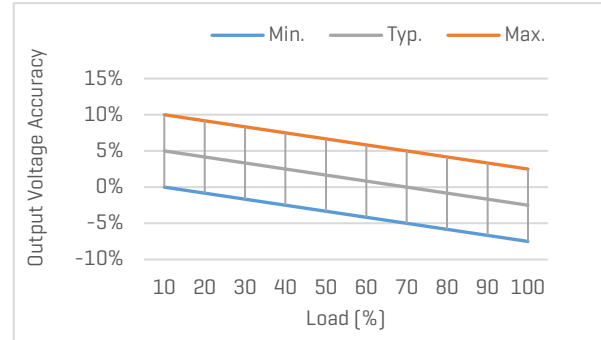
Characteristic Curves

Derating Curve

Output vs Ambient Temperature



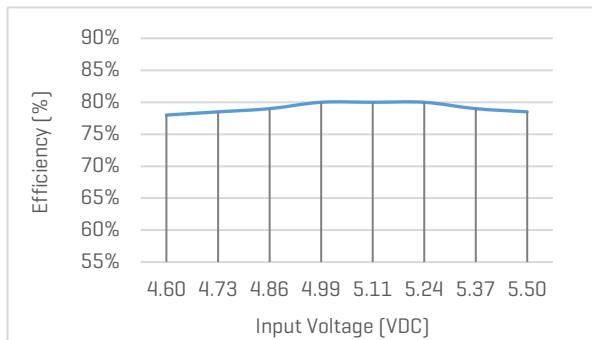
Output Voltage Accuracy vs Load



Efficiency Curves

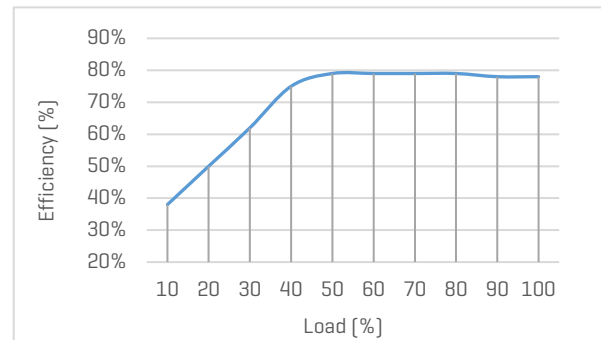
Efficiency vs Input Voltage

ME2S-0505, with full Load



Efficiency vs Load

ME2S-0505, with nominal input voltage

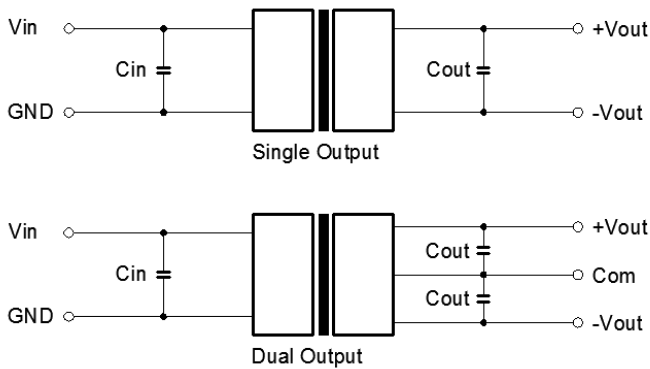


ME2S Series

2W, Unregulated Single or Dual Output, 1.5KV Isolation, SIP7 Package DC/DC Converters

Recommended External Circuit

Typical Application Circuit



*Typical application circuit is to further lower the input and output ripple. It is not required for general use.

*Recommended component specifications are typical values. Excessive external capacitive load may cause startup problem.

[Table 1] Recommended component spec

V _{IN}	5V	9, 12, 15V	24V
C _{IN}	4.7uF, 16V	2.2uF, 25V	1uF, 50V

Figure 1. Typical external circuit

[Table 2] Recommended component spec

Single Out	3.3, 5V	9, 12V	15, 24V
C _{OUT}	10uF, 16V	2.2uF, 25V	1uF, 50V
Dual Out	±3.3, ±5V	±9, ±12V	±15, ±24V
C _{OUT}	4.7uF, 16V	1uF, 25V	0.47uF, 50V

Circuit for EMC Enhancement

*Use this application circuit to meet Class B EMC performance.

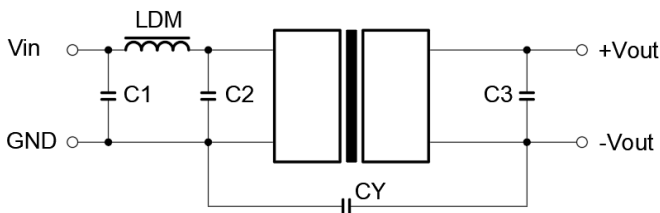


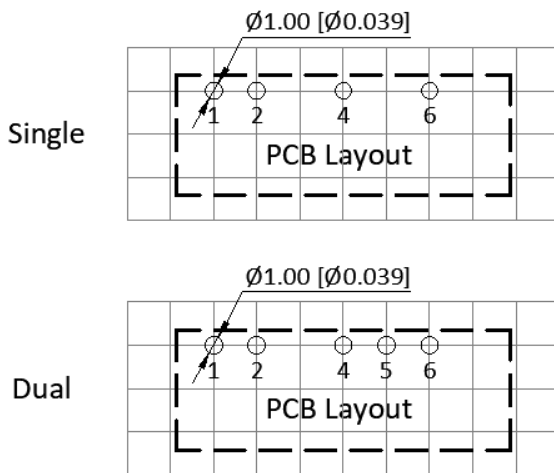
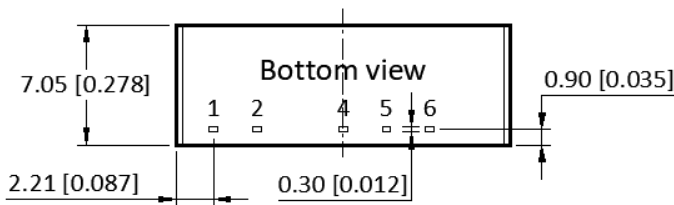
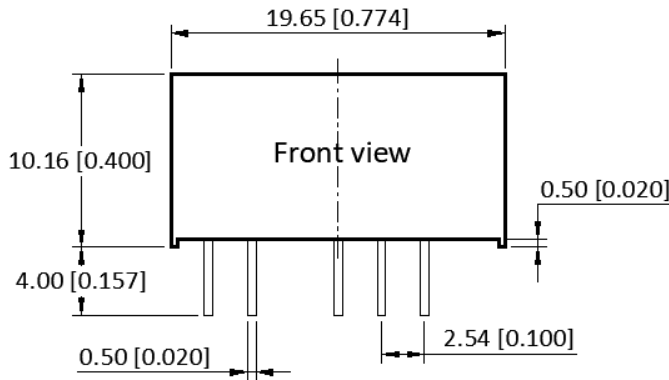
Figure 2. Circuit for EMC enhancement

[Table 3] Recommended component spec

Component	LDM	C1, C2	CY
Spec	6.8uH	4.7uF, 50V	1nF, 2KV

*C3 refer to C_{OUT} in [Table 2]

Mechanical Specifications



Pin Definition

Pin #	Single Out	Dual Out
1	V _{IN}	V _{IN}
2	GND	GND
4	0V	-V _{OUT}
5	No Pin	0V
6	+V _{OUT}	+V _{OUT}

* Unless otherwise specified unit: mm [inch]

* General tolerance: ±0.50 [±0.020]

* Pin thickness: ±0.10 [±0.004]

* Footprint grid 2.54 x 2.54 mm

FAVOTEK LIMITED

#17 Canton Road, Tsim Sha Tsui, Kowloon, Hong Kong
 Tel: +852 8191 6662
 Eml: info@favotek.com

Favotek reserves the right to make changes to the product at any time without notice. Information provided by Favotek is believed to be accurate and reliable. However, no responsibility is assumed by Favotek for its use, nor for any infringements of patents or other rights of third parties which may result from its use.