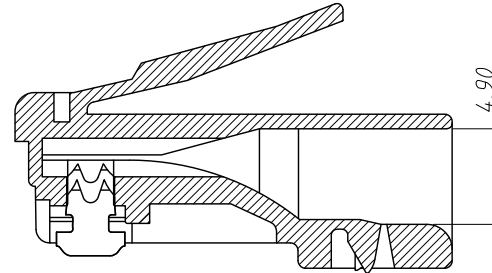
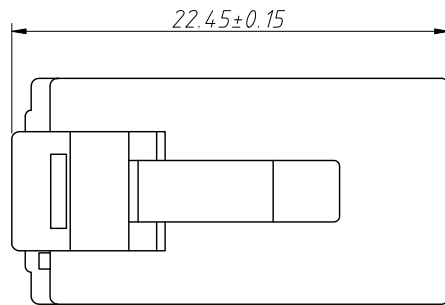
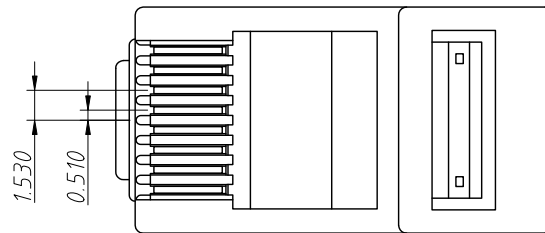
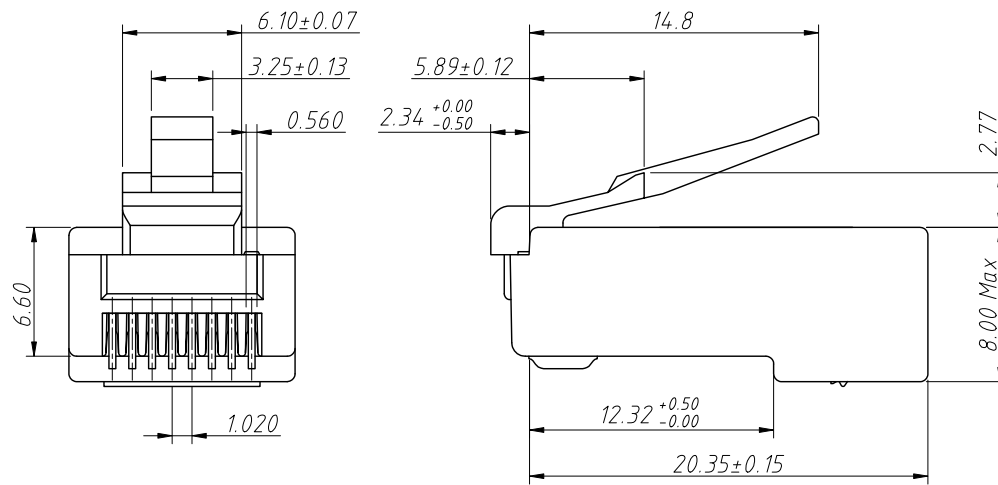
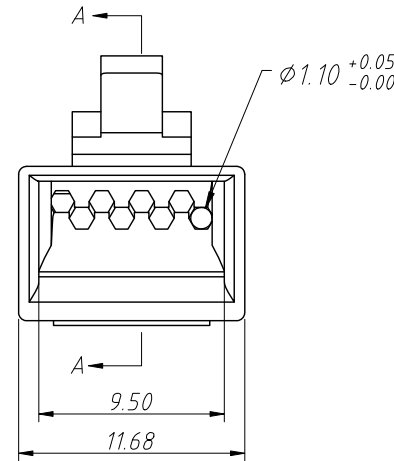


1 RoHS Compliance



Material:  
 Housing: Polycarbonate, Transparent  
 UL 94 V-0 or UL 94 V-2  
 Contact: Brass, Gold Plating  
 Electric:  
 Rated Current: 125 V AC, 1.5A@25°C  
 Contact Resistance: 20mΩ Max.  
 Insulation Resistance: 500MΩ Min, 100V DC/min  
 Withstand voltage: 1000V AC/1 minute  
 No Breakdown  
 Mechanical:  
 Insertion Force: 30N Max.  
 Withdrawal Force: 30N Max.  
 Durability: 750 Cycles Min.  
 Operation Temperature: -40°C ~ +85°C

SECTION A-A



**ORDER INFORMATION:**

L-KLS12 - U6C01 - 8P8C - xx X X

RoHS

Point No.

Gold Plating:

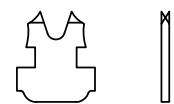
- 01-Fu" gold plating
- 02-3u" gold plating
- 03-6u" gold plating
- 15-15u" gold plating
- 30-30u" gold plating
- 50-50u" gold plating

BLADE type:

Flammability:

Blank - UL 94 V-2

0 - UL 94 V-0



Type A



Type D

BLADE Type

ANGLE TOLERANCE	PROJECTION	Description:	UTP CAT6 8P8C Modular plugs	
±3°				
GENERAL TOLERANCE	UNITS	mm	KLS P/N:	L-KLS12-U6C01-8P8C-xxXX
x.x ±0.20	SHEET SIZE	A4	XX	
x.xx ±0.10	Draw:	Daniel	2023-06-08	
x.xxx ±0.05	Check:	Daniel	2023-06-08	

NingBo KLS ELECTRONIC CO.,L TD.