



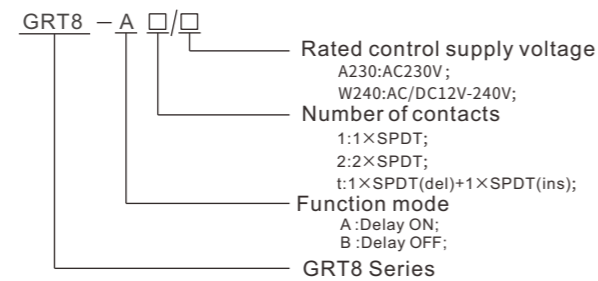
Applications

- Suitable for applications where function and time requirements are known.
- Time switch, possible to be used for pump decay time after switching heating off, switching of fans.

Feature

- Single-function relay with possibility of time setting by a potentiometer.
- Choice of 2 functions:
 - A:Delay ON
 - B:Delay OFF
- Time scale 0.1 s - 10 days divided into 10 ranges.
- Relay status is indicated by LED.
- 1-MODULE, DIN rail mounting.

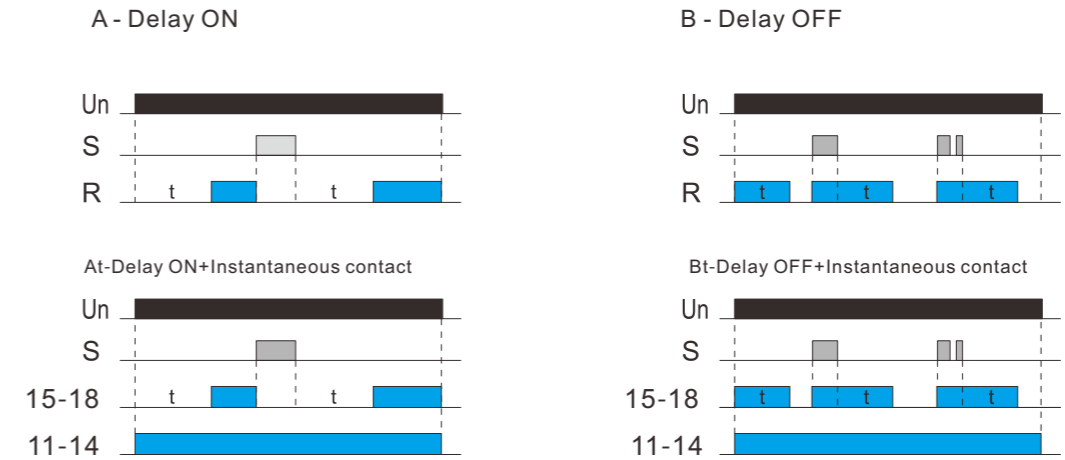
Model and connotation



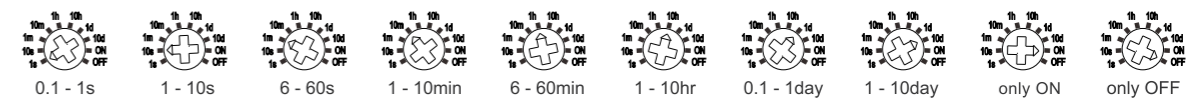
Technical parameters

	GRT8-A1/B1	GRT8-A2/B2	GRT8-At/Bt
Function	A:delay ON ; B:delay OFF		
Supply terminals	A1-A2		
Voltage range	W240	AC/DC 12-240V(50-60Hz)	
Burden	W240	AC 0.09-3VA/DC 0.05-1.7W	
Voltage range	A230	AC 230V(50-60Hz)	
Power input	A230	AC max.6VA/1.3W	
Supply voltage tolerance	-15%;+10%		
Supply indication	green LED		
Time ranges	0.1s-10days,ON,OFF		
Time setting	potentionmeter		
Time deviation	10%-mechanical setting		
Repeat accuracy	0.2%-set value stability		
Temperature coefficient	0.05%/°C,at=20°C(0.05%/°F, at=68°F)		
Output	1×SPDT	2×SPDT	1×SPDT(del)+1×SPDT(ins)
Current rating	1×16A(AC1)	2×16A(AC1)	
Switching voltage	250VAC/24VDC		
Min.breaking capacity DC	500mW		
Output indication	red LED		
Mechanical life	1×10 ⁷		
Electrical life(AC1)	1×10 ⁵		
Reset time	max.200ms		
Operating temperature	-20°C to +55°C (-4°F to 131°F)		
Storage temperature	-35°C to +75°C (-22°F to 158°F)		
Mounting/DIN rail	Din rail EN/IEC 60715		
Protection degree	IP40 for front panel/IP20 terminals		
Operating position	any		
Overvoltage category	III.		
Pollution degree	2		
Max.cable size(mm) ²	solid wire max.1×2.5or 2×1.5/with sleeve max.1×2.5(AWG 12)		
Dimensions	90×18×64mm		
Weight	1×SPDT:W240-60g,A230-59g		
	2×SPDT:W240-81g,A230-79g		
Standards	EN 61812-1,IEC6947-5-1		

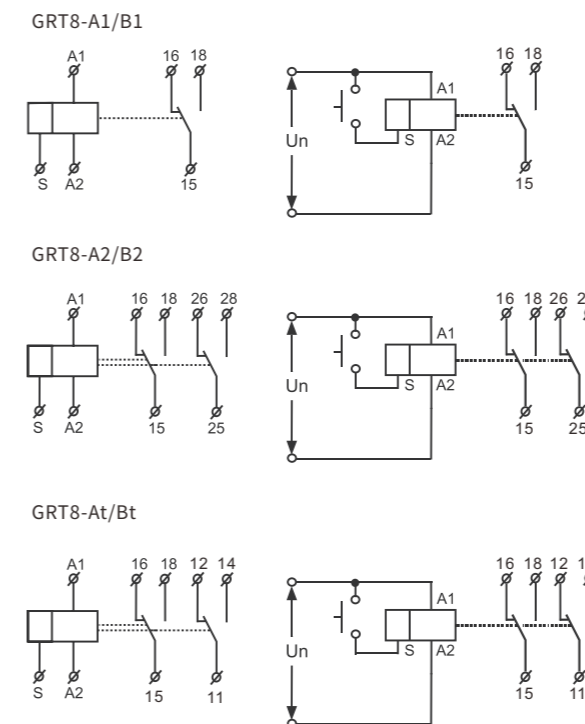
Functions Diagram



Time Range



Wiring Diagram



Dimensions(mm)

