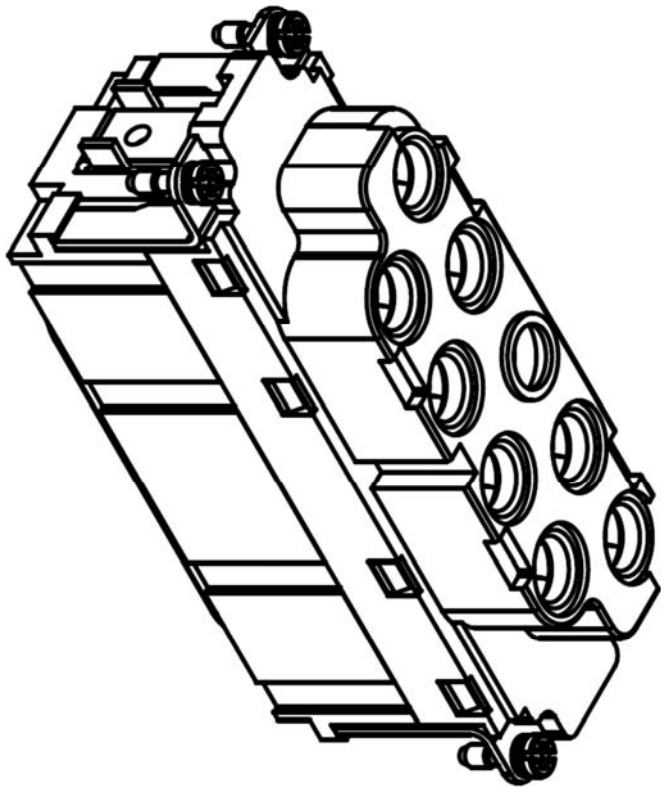
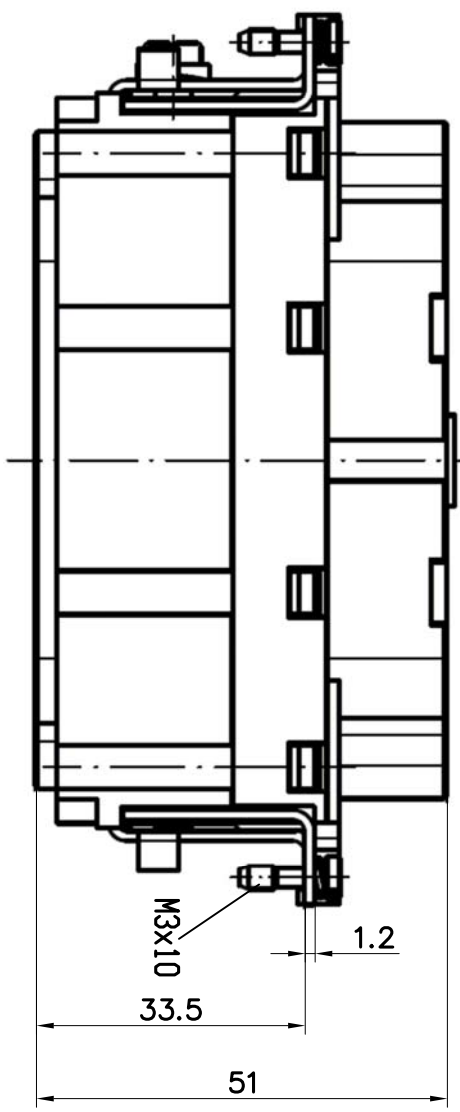
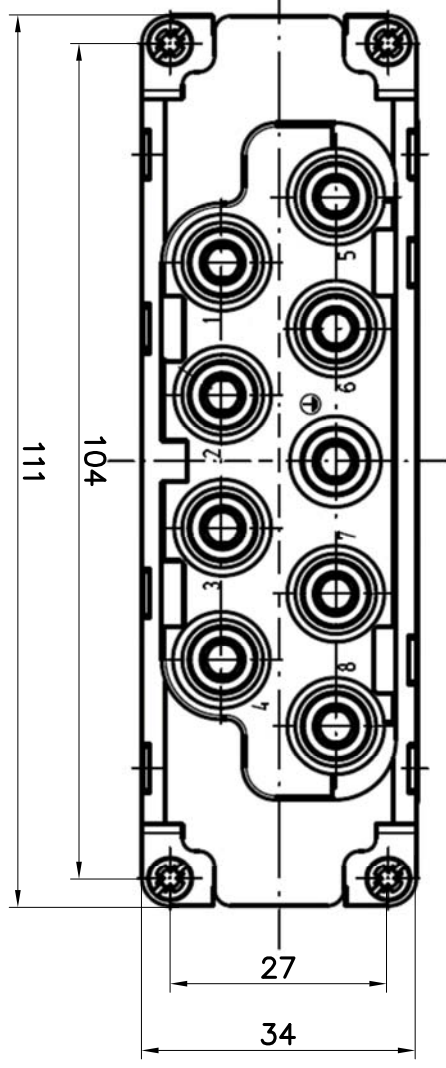


REVISION RECORD				
REV	ECN	DESCRIPTION	DRFT	DATE



DETACHED LISTS			
PART NO.:	/	NAME:	<b>DEGSON</b> ® 宁波高松电子有限公司 NINGBO DEGSON ELECTRICAL CO., LTD
APPD:		TITLE:	CUSTOMER DRAWING
CHKD:		DRAWING NO.:	/
DRFT:		SCALE:	1:1
THIRD ANGLE PROJECTION		DO NOT SCALE DRAWING	SCALE

A B C D E F G H

A B C D E F G H

8 7 6 5 4 3 2 1