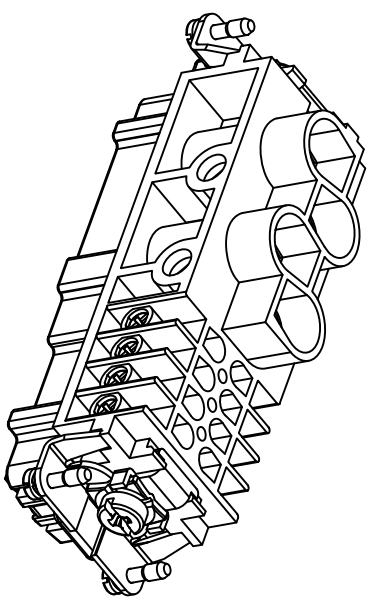
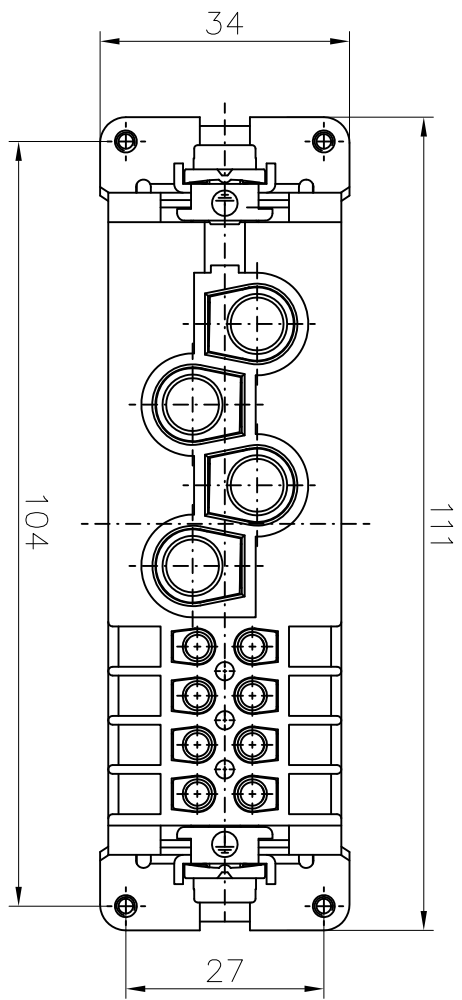
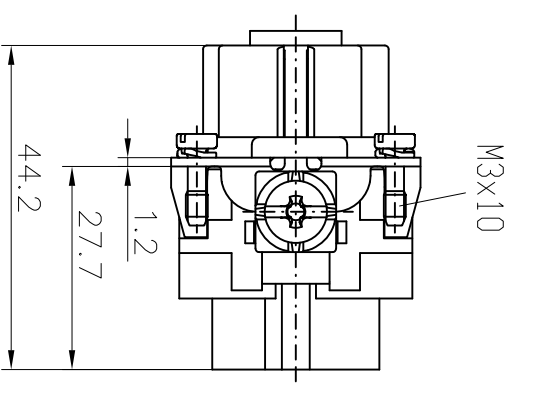


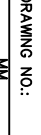
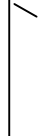
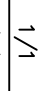


REVISION RECORD				
REV	ECN	DESCRIPTION	DRFT	DATE



DETACHED LISTS				
PART NO.:	/	NAME:	 DEGSON [®] 宁波高松电子有限公司 NINGBO DEGSON ELECTRICAL CO., LTD	
APPD:		TITLE:	CUSTOMER DRAWING	
CHKD:		DRAWING NO.:	/	REV
DRFT:		DO NOT SCALE DRAWING	SCALE	1:1
THIRD ANGLE PROJECTION				

A 8 7 6 5 4 3 2 1