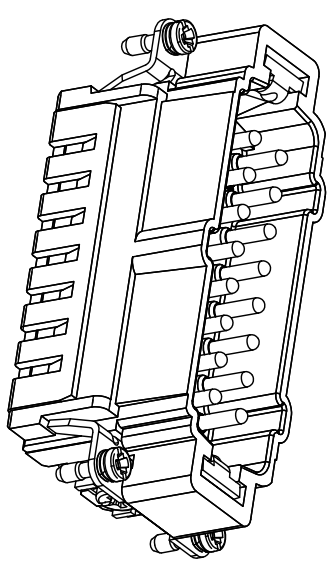
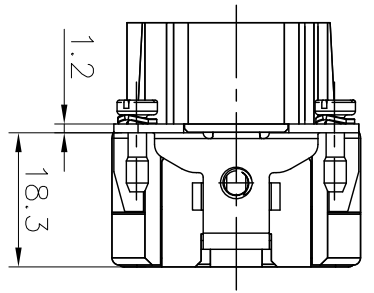
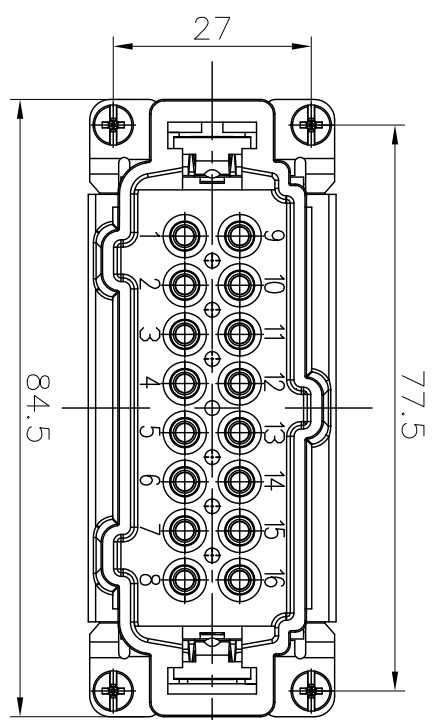
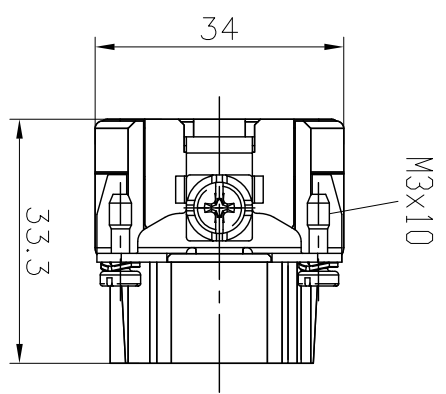


REVISION RECORD				
REV	ECN	DESCRIPTION	DRFT	DATE



A 8 7 6 5 4 3 2 1

DETACHED LISTS			
PART NO.:	/	NAME:	DEGSON ® 宁波高松电子有限公司 NINGBO DEGSON ELECTRICAL CO., LTD
APPD:		TITLE:	CUSTOMER DRAWING
CHKD:		DRAWING NO.:	/
DRFT:		DO NOT SCALE DRAWING	SCALE
THIRD ANGLE PROJECTION		1/1	1/1
		1:1	1:1

A

B

C

D

E

F

G

H