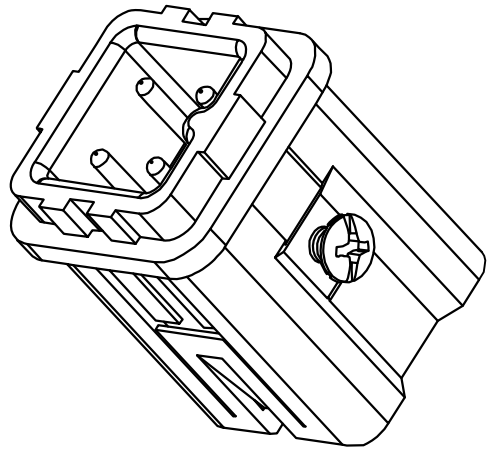
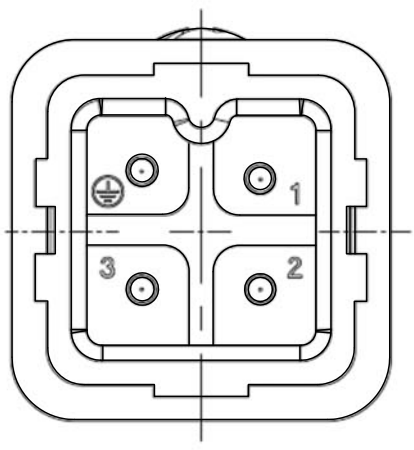
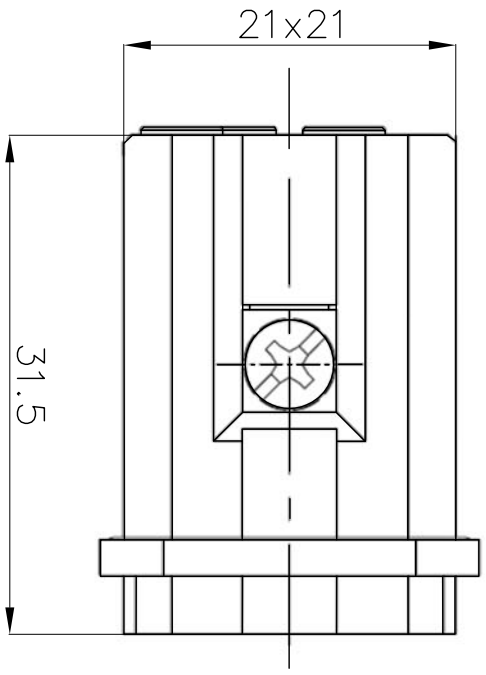


REVISION RECORD				
REV	ECN	DESCRIPTION	DRFT	DATE



A 8 7 6 5 4 3 2 1

DETACHED LISTS			
PART NO.:	/	NAME:	<b>DEGSON</b> ® 宁波高松电子有限公司 NINGBO DEGSON ELECTRICAL CO., LTD
APPD:		TITLE:	CUSTOMER DRAWING
CHKD:		DRAWING NO.:	/
DRFT:		DO NOT SCALE DRAWING	SCALE
THIRD ANGLE PROJECTION		1/1	2:1