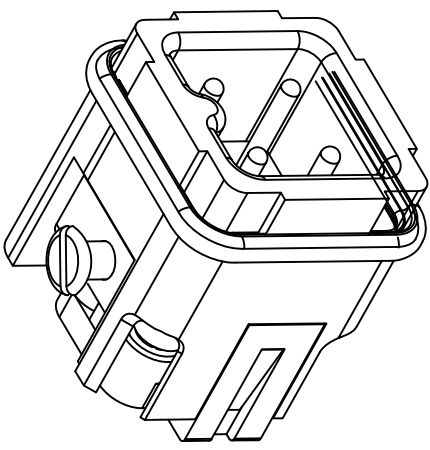
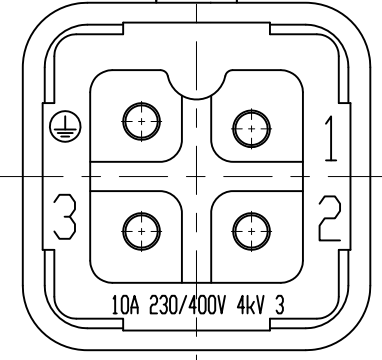
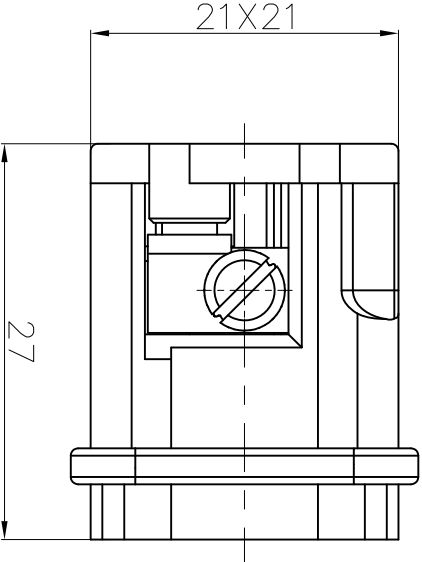
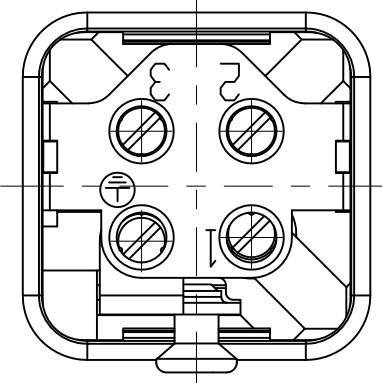


REVISION RECORD				
REV	ECN	DESCRIPTION	DRFT	DATE



DETACHED LISTS			
PART NO.:	/	NAME:	DEGSON ® 宁波高松电子有限公司 NINGBO DEGSON ELECTRICAL CO., LTD
APPD:		DA-003-M	
CHKD:		TITLE: CUSTOMER DRAWING	REV
DRFT:		DRAWING NO.:	DO
			SHEET
		DO NOT SCALE DRAWING	SCALE
			2:1

A 8 7 6 5 4 3 2 1