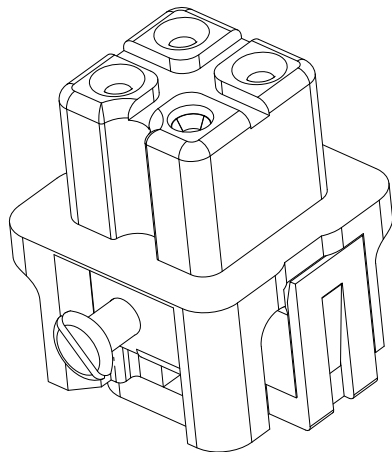
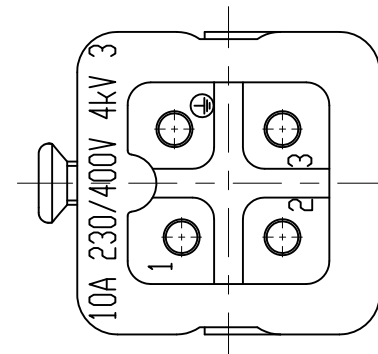
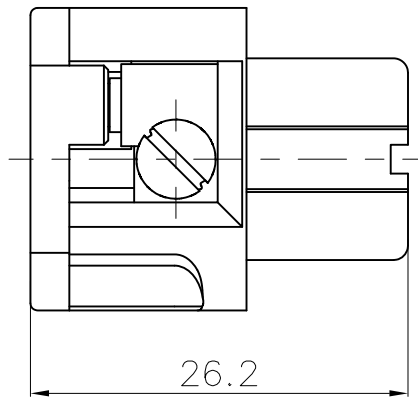
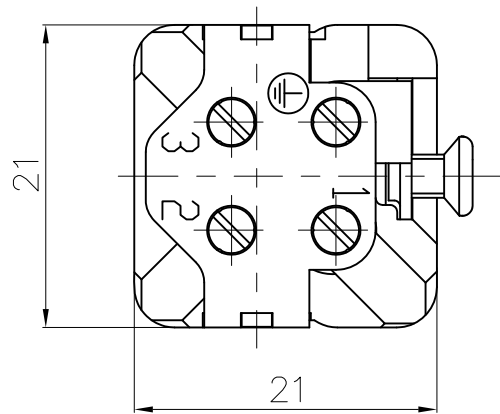

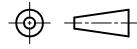


REVISION RECORD				
REV	ECN	DESCRIPTION	DRFT	DATE



DETACHED LISTS	PART NO.:	/	 宁波高松电子有限公司 NINGBO DEGSON ELECTRICAL CO., LTD		
	APPD:		NAME: DA-003-F		
	CHKD:		TITLE: CUSTOMER DRAWING		
	DRFT:		REV	DO	
	 THIRD ANGLE PROJECTION		DRAWING NO.:	/	SHEET
		MM (INCH)	DO NOT SCALE DRAWING	SCALE	2:1