

6

5

4

3

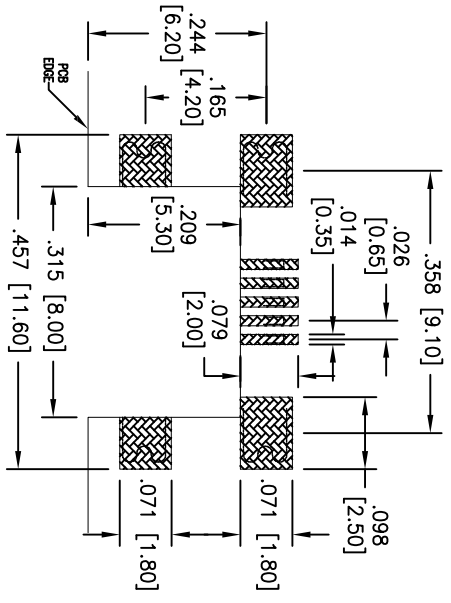
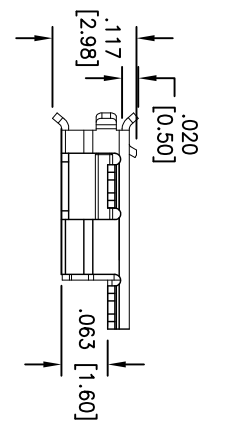
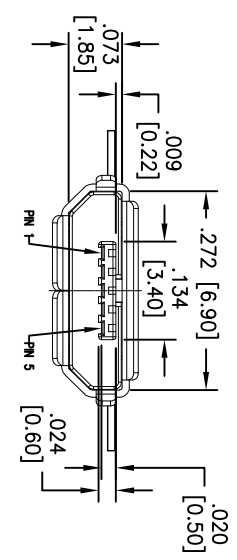
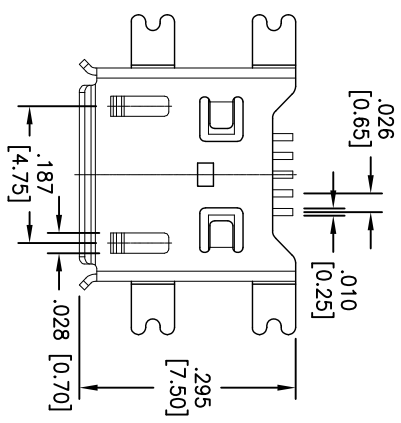
2

1

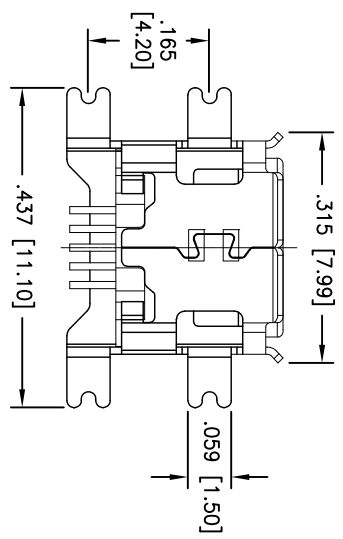
Rev	AWO #	Description	Date	Appr
-		RELEASED	11/2/11	

APPROVED: \_\_\_\_\_

DATE: \_\_\_\_\_ TITLE: \_\_\_\_\_



RECOMMENDED PCB LAYOUT



D

C

B

A

**SPECIFICATIONS:**

- Material: Insulator: Hi-temp thermoplastic, rated UL 94V-0
- Insulator color: Black
- Contacts: Brass
- Shell: Brass, Matte Tin Plated
- Plating: Gold flash over Nickel underplate overall
- Electrical: Operating voltage: 30 VAC max.
- Current rating: 1 Amp max.
- Contact resistance: 30 mohms max.
- Insulation resistance: 1,000 Mohms min. @ 100 VDC
- Dielectric withstand voltage: 100 VAC for 1 minute
- Temperature Rating: Operating temperature: -20°C to +85°C
- Environmental: Lead free, RoHS compliant.

**ADAM TECH**

909 Rahway Avenue, Union, NJ 07083  
Phone: 908-687-5000 Fax: 908-687-5710

TITLE: MICRO USB, TYPE B, SINGLE PORT  
FEMALE, SMT TYPE, EDGE HANG

UNLESS OTHERWISE SPECIFIED ALL DIMENSIONS ARE INCHES [MM]	
TOLERANCES: EXCEPT AS NOTED	
X .XX ± .10	ØXX ± .015
.XX ± .020	ØXXX ± .015
.XXX ± .015	ØXXX ± .010
APPROVALS	DATE
DRAWN AY	11/2/11
CHECKED AH	11/2/11
APPROVED	

SIZE X	PART NO. MCR-B-S-RA-TSMT-EH1	REV. -
REF: S00120T	SCALE: NTS	SHEET 1 OF 1

A

B

C

D

6

5

4

3

2

1

