

Silicon NPN Power Transistors

2SC3320

DESCRIPTION

- With TO-3PN package
- High voltage ,high speed switching
- High reliability

APPLICATIONS

- Switching regulators
- Ultrasonic generators
- High frequency inverters
- General purpose power amplifiers

PINNING

PIN	DESCRIPTION
1	Base
2	Collector;connected to mounting base
3	Emitter

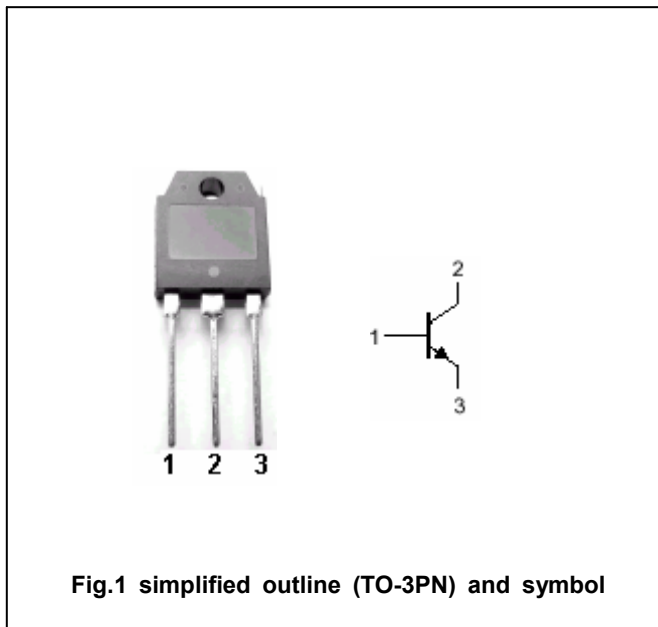


Fig.1 simplified outline (TO-3PN) and symbol

Absolute maximum ratings(Ta=25°C)

SYMBOL	PARAMETER	CONDITIONS	VALUE	UNIT
V _{CBO}	Collector-base voltage	Open emitter	500	V
V _{CEO}	Collector-emitter voltage	Open base	400	V
V _{EBO}	Emitter-base voltage	Open collector	7	V
I _C	Collector current		15	A
I _B	Base current		5	A
P _C	Collector power dissipation	T _C =25°C	80	W
T _j	Junction temperature		150	°C
T _{stg}	Storage temperature		-65~150	°C

THERMAL CHARACTERISTICS

SYMBOL	PARAMETER	VALUE	UNIT
R _{th(j-c)}	Thermal resistance from junction to case	1.56	°C/W

Silicon NPN Power Transistors

2SC3320

CHARACTERISTICS

T_j=25 °C unless otherwise specified

SYMBOL	PARAMETER	CONDITIONS	MIN	TYP.	MAX	UNIT
V _{(BR)CEO}	Collector-emitter breakdown voltage	I _C =10mA ; I _B =0	400			V
V _{(BR)CBO}	Collector-base breakdown voltage	I _C =1mA ; I _E =0	500			V
V _{(BR)EBO}	Emitter-base breakdown voltage	I _E =1mA ; I _C =0	7			V
V _{CEsat}	Collector-emitter saturation voltage	I _C =6A ; I _B =1.2A			1.0	V
V _{BEsat}	Base-emitter saturation voltage	I _C =6A ; I _B =1.2A			1.5	V
I _{CBO}	Collector cut-off current	V _{CB} =500V ; I _E =0			1.0	mA
I _{EBO}	Emitter cut-off current	V _{EB} =7V ; I _C =0			1.0	mA
h _{FE}	DC current gain	I _C =6A ; V _{CE} =5V	10			

Switching times resistive load

t _{on}	Turn-on time	I _C =7.5A I _{B1} =1.5A I _{B2} =-3A R _L =20Ω P _W =20μs;Duty=<2%			0.5	μs
t _s	Storage time				1.5	μs
t _f	Fall time				0.15	μs

Silicon NPN Power Transistors

2SC3320

PACKAGE OUTLINE

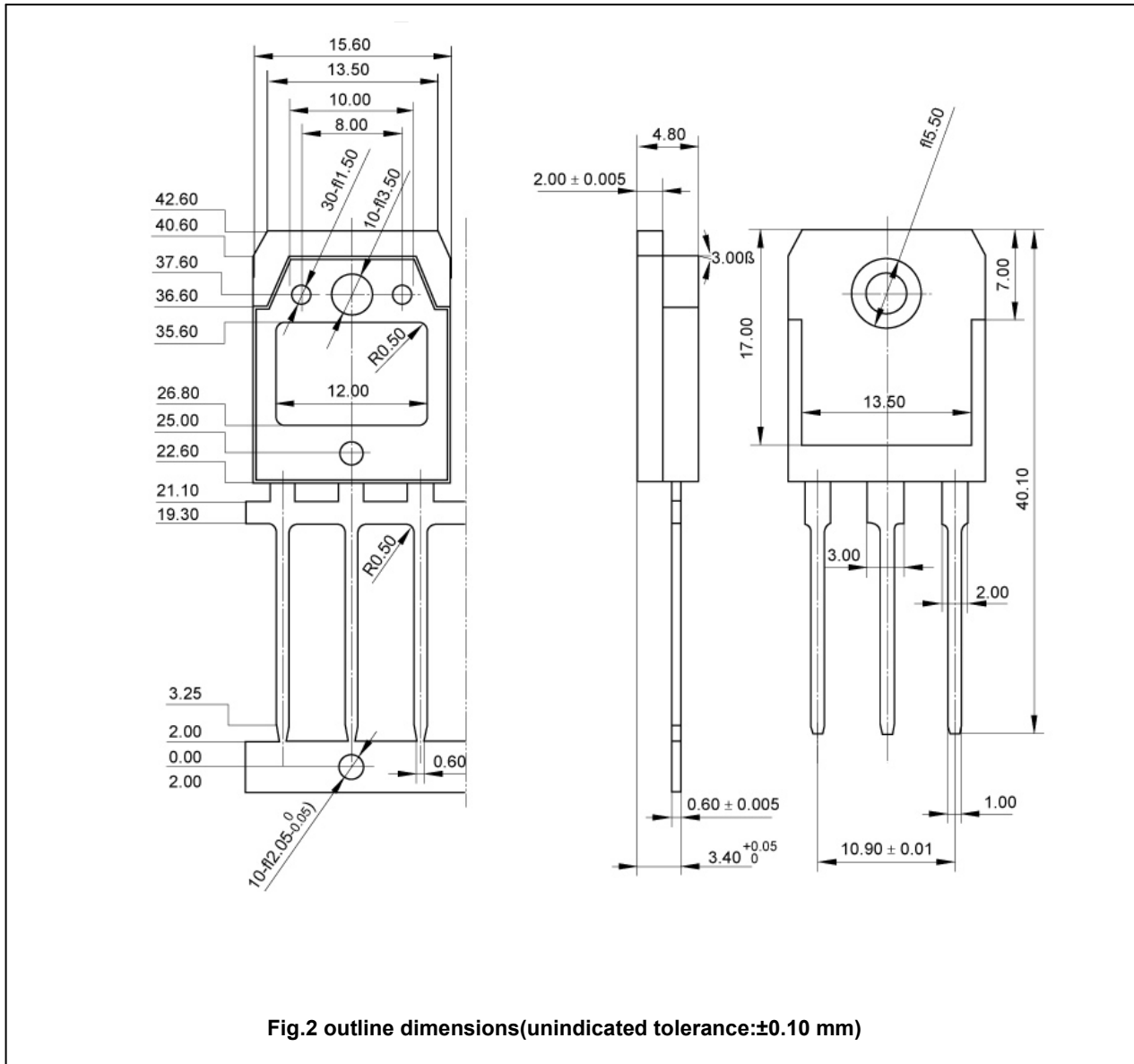


Fig.2 outline dimensions(unindicated tolerance: ± 0.10 mm)

Silicon NPN Power Transistors

2SC3320

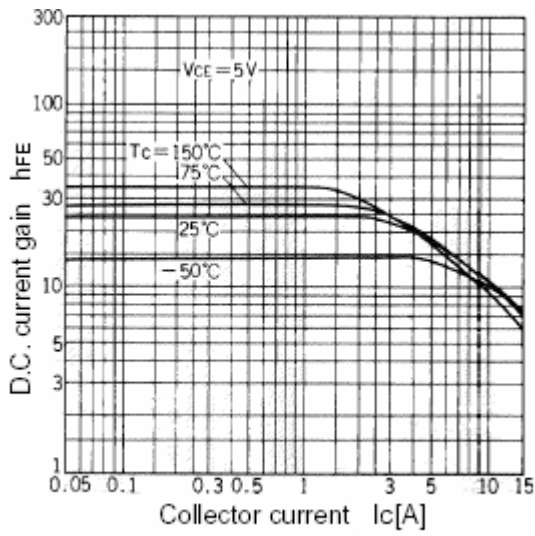


Fig.3 DC current Gain

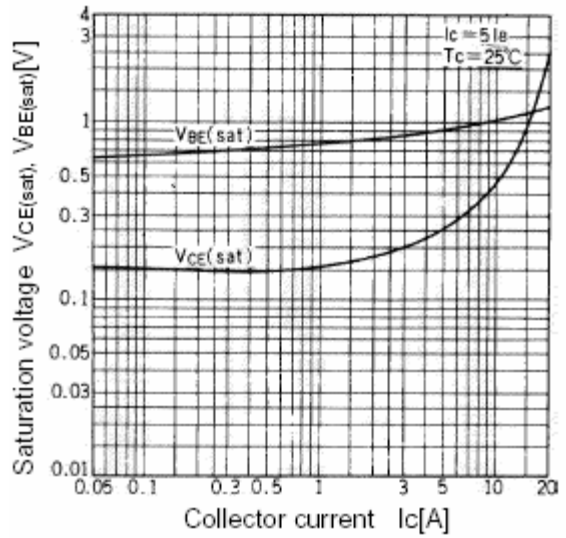


Fig.4 Base-Emitter Saturation Voltage
Collector-Emitter Saturation Voltage

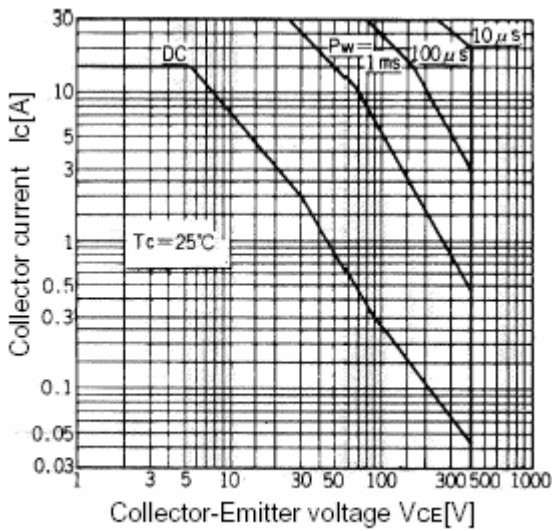


Fig.5 Safe Operating Area