

ZIF Socket Series

KLS1-108X ZIP Socket 2.54mm (0.100")

Materials :

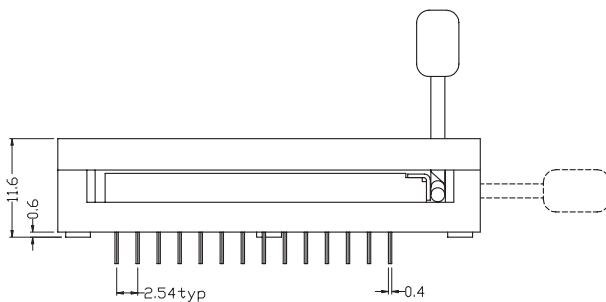
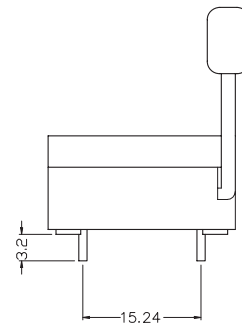
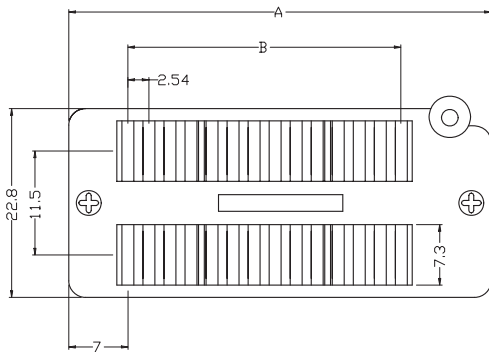
- Compact mechanical construction to ensure long term life.
- Zero insertion and extraction pressure.
- standard 0.100(2.54mm) IC pitch, easy to mount in PC board.
- All plastics are UL 94v-0 grade fire retardant.
- Gold plated or Tin Plated contact to ensure low contact resistance and long operation life.

1. ELECTRICAL Specifications :

- Contact Rating:50V DC,100mA.
- Contact Resistance: 50mΩ max.
- Insulation Resistance: 100M Min.
- Dielectric strength: 500V DC min. for 60 seconds.

2. MECHANICAL AND ENVIRONMENTAL Specifications :

- Operating Temperature: -40°C to +105°C
- Storage Temperature: -20°C to +70°C
- Operating Life:25,000 cycles
- Humidity:95%RH,40°C for 96 Hrs.
- Vibration: Per MIL-STD-202F, METHOD 201A
- Solderability: After flux 230°C for 5 0 .5 Seconds,95% coverage
- Soldering Heat:260 5 °C for 5 1 S econds



Dimension

Position	A	B
24	45.1	27.94
28	50.2	33.02
32	55.3	38.10
40	65.5	48.26
48	75.6	58.42

ORDER INFORMATION

Product No.: KLS1-108X-XX

Pos. No.

DOUBLE DIP SOCKET 2.54mm Series

Number of Contacts : XX=24-48Pin